



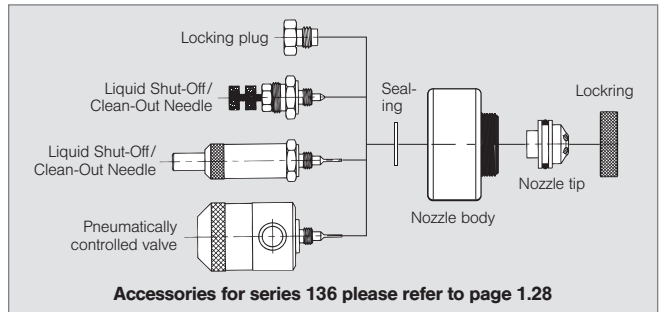
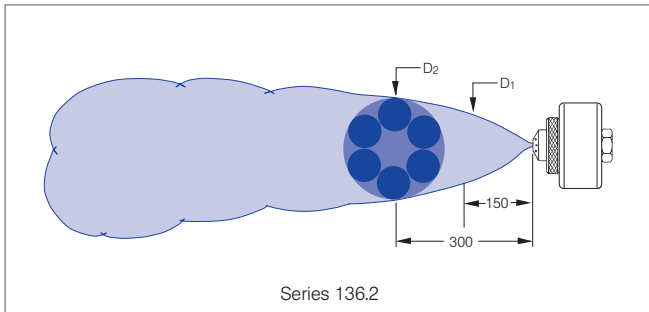
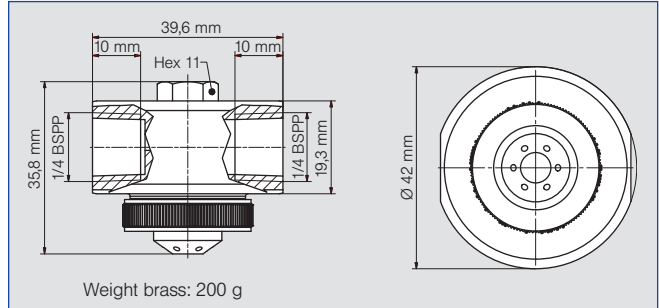
Pneumatic atomizing nozzles, Full cone, pressure principle, internal mixing Series 136.2



Fine full cone atomization and fogging with air or gas. Especially wide spray angle of 60°.

Pressure principle. Internal mixing of fluids.

Applications:
Humidification of air, cooling.



Spray angle	Ordering no.		E ∅ [mm]	Liquid pressure p [bar]												Spray dimensions				
	Type	Mat. no.		0.7			1.5			3.0			4.0			p Air [bar]	p Water [bar]	D1 [mm]	D2 [mm]	
				p Air [bar]	ṽ Water [l/h]	ṽn Air [m³/h]	p Air [bar]	ṽ Water [l/h]	ṽn Air [m³/h]	p Air [bar]	ṽ Water [l/h]	ṽn Air [m³/h]	p Air [bar]	ṽ Water [l/h]	ṽn Air [m³/h]					
60°	136. 215. xx. A2	○	○	0.5	1.00	3.00	1.30	1.60	5.80	1.70	2.80	8.50	2.40	3.80	9.40	3.10	1.00	0.70	200	330
					1.20	1.80	1.50	1.80	4.90	1.90	3.20	7.20	2.80	4.20	8.20	3.50	1.60	1.50	230	380
		1.40	0.70		1.80	2.00	3.80	2.10	3.60	5.70	3.20	4.60	6.90	3.90	2.40	2.00	230	385		
		-	-		-	2.20	2.80	2.30	4.00	4.00	3.60	5.00	5.40	4.20	3.20	3.00	245	390		
		-	-		-	2.40	1.70	2.50	4.40	2.20	4.10	5.40	3.80	4.70	4.20	4.00	250	410		
		-	-		-	2.60	0.80	2.80	4.80	0.80	4.50	5.80	2.30	5.20	-	-	-	-	-	-
	136. 222. xx. A2	○	○	1.0	0.80	17.50	2.80	1.60	25.90	4.00	3.00	40.40	5.80	3.80	54.90	6.40	0.80	0.70	250	450
					1.00	6.00	4.30	1.80	14.70	5.30	3.20	31.50	6.90	4.00	45.60	7.30	1.60	1.50	245	465
		-	-		-	2.00	6.70	6.70	3.40	22.20	8.20	4.20	37.60	8.50	2.30	2.00	245	465		
		-	-		-	2.20	1.90	8.10	3.60	14.60	9.50	4.40	29.60	9.70	3.20	3.00	250	465		
		-	-		-	-	-	-	3.80	8.50	11.00	4.60	21.60	11.20	4.20	4.00	245	465		
		-	-		-	-	-	-	4.00	4.50	12.30	4.80	15.30	12.40	-	-	-	-	-	-
	136. 231. xx. A2	○	○	1.4	1.60	25.60	5.10	2.60	44.20	7.00	3.60	93.70	7.90	4.20	132.90	7.30	2.00	0.70	235	380
					2.00	17.80	6.20	3.00	33.00	8.20	4.00	78.30	9.30	4.60	117.20	9.00	2.60	1.50	245	415
		2.40	11.30		7.20	3.40	24.70	9.20	4.40	65.80	10.60	5.00	101.10	10.40	2.40	2.00	255	420		
		2.80	6.90		8.10	3.80	18.10	10.20	4.80	54.90	11.90	5.40	87.90	11.80	3.60	3.00	255	425		
		-	-		-	4.20	13.20	11.20	5.20	45.60	13.00	5.80	76.60	13.20	4.20	4.00	265	430		
		-	-		-	4.60	9.30	12.00	5.60	38.00	14.10	6.00	71.20	13.80	-	-	-	-	-	-

E = narrowest free cross section (water)

[Перейти к разделу сюда >](#)

Example **Type** + **Material no. (xx)** = **Ordering no.**
for ordering: 136. 215. xx. A2 + 1Y = 136. 215. 1Y. A2

