

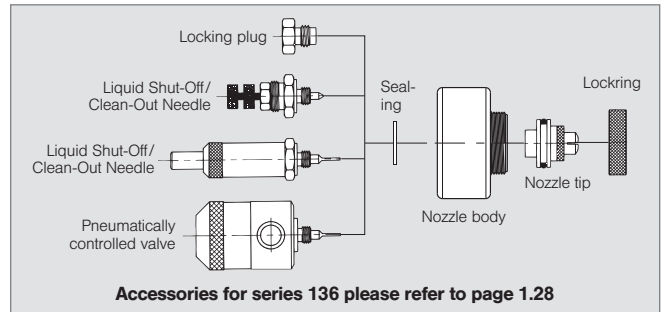
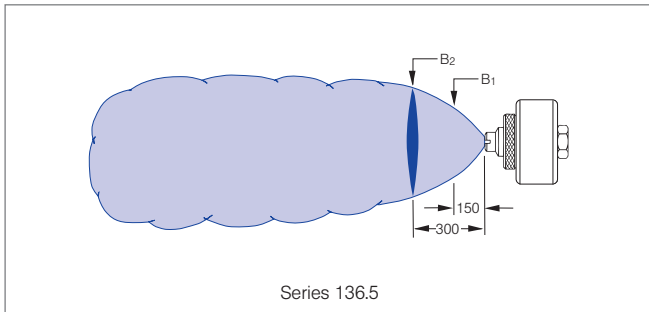
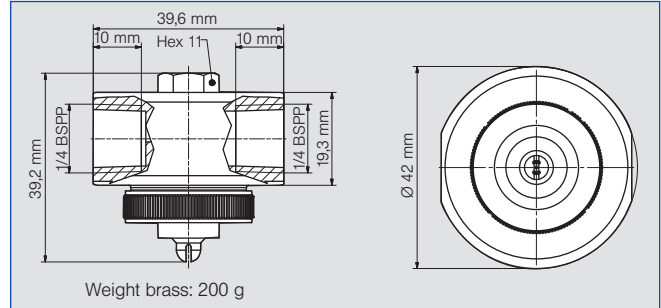


Pneumatic atomizing nozzles, Flat fan, siphon principle, internal mixing Series 136.5



Particularly fine flat fan atomization with air or gas.
Siphon principle.
Internal mixing of fluids.

Applications:
Web dampening, cooling,
humidification of goods.



★ Spray angle	Ordering no.		E ∅ [mm]	Air		Liquid pressure p [bar]					Spray dimensions							
	Type	Mat. no.		p [bar]	\dot{V}_n [m³/h]	Water column [mm WS]			Aspiration height [mm WS]		p _{Air} [bar]	Aspiration- height [mm WS]	Spray width B ₁ [mm]	Spray width B ₂ [mm]				
		1Y AISI 316L				35 Brass plated	150	300	450	100					200	300	600	900
60°	136. 516. xx. A2	○	○	0.4	0.80	1.80	-	-	-	1.62	1.53	-	1.17	0.88	1.00	300	130	165
					1.20	2.20	1.89	2.13	2.19	1.80	1.77	1.68	1.41	1.16	3.00	300	150	200
					1.40	2.50	1.95	2.16	2.25	1.86	1.80	1.68	1.47	1.21	4.60	300	170	225
					1.80	2.90	1.98	2.22	2.34	1.89	1.86	1.77	1.53	1.26	6.00	300	180	240
					2.00	3.10	1.95	2.19	2.31	1.89	1.80	1.68	1.50	1.26				
					2.40	3.50	1.89	2.25	2.25	1.83	1.71	1.68	1.47	1.22				
					2.60	3.70	1.83	2.25	2.25	1.74	1.71	1.59	1.44	1.18				
					3.00	4.20	1.74	2.01	2.22	1.71	1.62	1.56	1.44	1.28				
					3.20	4.40	1.71	1.92	2.16	1.65	1.62	1.59	1.59	1.38				
					3.60	4.80	1.74	1.83	2.10	1.80	1.77	1.74	1.68	1.47				
					3.80	5.00	1.92	1.80	2.10	1.86	1.86	1.80	1.71	1.49				
					4.20	5.50	1.98	2.04	2.19	1.92	1.83	1.83	1.68	1.70				
					4.40	5.70	1.95	2.04	2.19	1.89	1.86	1.80	1.74	1.77				
					4.80	6.10	2.01	2.04	2.16	2.01	2.01	2.04	2.04	1.98				
					5.00	6.30	2.10	2.13	2.22	2.19	2.19	2.16	2.10	1.93				
5.40	6.80	2.31	2.34	2.28	2.25	2.22	2.16	2.04	1.86									
5.60	7.00	2.31	2.28	2.25	2.19	2.16	2.10	2.01	1.80									
6.00	7.40	2.22	2.22	2.22	2.10	2.10	2.04	1.92	1.79									

E = narrowest free cross section (water)

Continued on next page.

Operational information:

Liquid flow of pneumatic atomizing nozzles with external mixing can be turned down to 0 with air pressure remaining constant.

Example	Type	+ Material no. (xx)	= Ordering no.
for ordering:	136. 516. xx. A2	+ 1Y	= 136. 516. 1Y. A2





Pneumatic atomizing nozzles, Flat fan, pressure principle, internal mixing Series 136.5



Spray angle	Ordering no.		E ∅ [mm]	Air		V̇ Water [l/h]							Spray dimensions				
	Type	Mat. no.		p [bar]	V̇ _n [m³/h]	Water column [mm WS]			Aspiration height [mm WS]				p _{Air} [bar]	Aspira- tion- height [mm WS]	B ₁ [mm]	B ₂ [mm]	
						1Y	35	150	300	450	100	200					300
60°	136. 525. xx. A2	○ ○	0.5	0.60	1.60	-	-	-	2.00	-	-	-	-	1.00	300	155	240
				0.80	1.90	-	-	-	2.21	2.10	1.98	-	-	3.00	300	200	295
				1.20	2.30	2.75	2.84	-	2.53	2.39	2.33	2.04	1.69	4.60	300	215	325
				1.40	2.60	2.84	2.90	3.05	2.63	2.51	2.42	2.14	1.82	6.00	300	250	400
				1.80	3.00	2.96	3.01	3.16	2.78	2.64	2.56	2.20	1.88				
				2.00	3.30	2.94	3.02	3.16	2.73	2.69	2.58	2.18	1.82				
				2.40	3.70	2.87	2.97	3.10	2.59	2.50	2.38	2.01	1.68				
				2.60	3.90	2.82	2.86	3.04	2.49	2.46	2.29	1.91	1.62				
				3.00	4.40	2.59	2.71	2.85	2.23	2.11	2.04	1.73	1.72				
				3.20	4.60	2.48	2.51	2.71	2.09	1.96	1.91	1.74	1.87				
				3.60	5.10	2.37	2.31	2.51	2.25	2.18	2.19	1.98	1.90				
				3.80	5.30	2.34	2.37	2.52	2.22	2.23	2.15	1.99	1.85				
				4.20	5.70	2.35	2.35	2.43	2.20	2.13	2.11	1.94	1.82				
				4.40	6.00	2.30	2.32	2.44	2.20	2.07	2.05	1.96	1.83				
				4.80	6.40	2.25	2.24	2.41	2.12	2.03	2.08	1.90	2.12				
				5.00	6.60	2.20	2.21	2.37	2.09	2.03	1.98	2.25	2.27				
				5.40	7.10	2.52	2.23	2.36	2.60	2.55	2.49	2.26	2.08				
5.60	7.30	2.50	2.45	2.58	2.57	2.54	2.39	2.16	2.02								
6.00	7.80	2.57	2.61	2.76	2.37	2.40	2.18	1.94	1.80								

E = narrowest free cross section (water)

Example **Type** + **Material no. (xx)** = **Ordering no.**
for ordering: 136. 525. xx. A2 + 1Y = 136. 525. 1Y. A2