

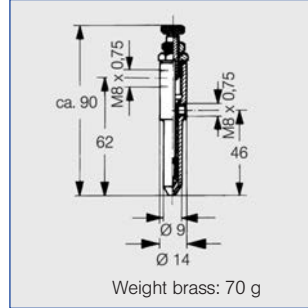


Pneumatic atomizing nozzles, Full cone, siphon principle, internal mixing Series 140



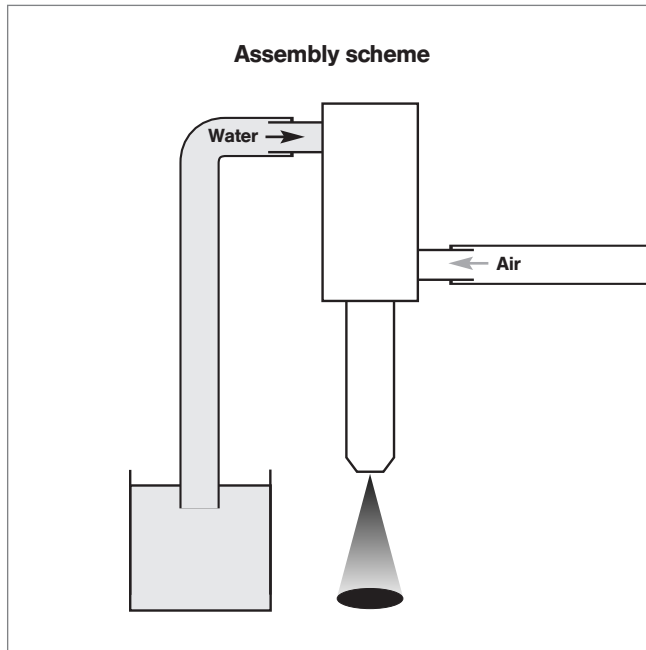
Particularly fine full cone atomization. Siphon principle. Internal mixing of fluids. Integrated regulating device.

Applications:
Lubrication, cooling, humidification of air.



Spray angle	Ordering no.	E Ø [mm]		H _s Aspiration-height [mm WS]	\dot{V}_W = Liquid \dot{V}_n L = Air							
		Water	Air		p [bar] Air pressure							
					0.5		1.0		2.0		3.0	
W	L	W	L	W	L	W	L	W	L			
[l/h]	[m ³ /h]	[l/h]	[m ³ /h]	[l/h]	[m ³ /h]	[l/h]	[m ³ /h]	[l/h]	[m ³ /h]			
20°- 30°	140. 252. 30. 01	0.50	0.75	500	-	-	4.50	4.00	8.00	6.00	10.50	8.00
				200	4.50	2.50	7.00	4.00	10.00	6.00	12.00	8.00

E = narrowest free cross section (water)



Accessories:

Gasket
014. 040. 72
7.8 x 12 x 1 (EWP 210)



Nipple
014. 010. 30. 04
(Material brass)
Weight: 17 g

