



Pneumatic atomizing nozzles, for atomizing viscous media Series 176 ViscoMist™

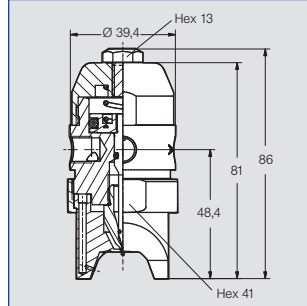


The ViscoMist™ series offers independent regulation of both atomizing air and fan air, which provides the user with infinite control over the viscous fluid's spray pattern and droplet size.

The ViscoMist™ nozzle features a standard 'Liquid Shut-Off/ Clean-Out Needle' function. This design element activates and deactivates the liquid supply, while simultaneously removing excess fluid from the fluid nozzle preventing clogging. This feature is especially vital when the viscous liquids are being applied in continuous process environments.

The modular design of the ViscoMist™ allows maximum flexibility to meet the exact spray requirements.

Interchangeable air caps and various flow capacities are available to suit any spraying application needs.



One nozzle – three spray characters

- - Solid stream
- Full cone
- Flat fan
- Independent regulation of liquid, atomizing air and fan air
- Fluid circulation possible (Nozzle body with 5 connections)

Atomizing air / Fan air / Signal air

The atomizing air causes the liquid to atomize at the nozzle orifice. The spray character can be adjusted with the fan air to suit the application. The signal air activates the nozzle.

Outside mixing to spray viscous liquids, for example:

- Coating
- Moisturising
- Lubrication
- Glazing
- Sanitising

Fluid cap options

Ø 0.38 mm to 2.54 mm

Valve position

Normally closed, fail-safe with loss of air

Signal air pressure

Min. 1.5 bar
Max. 3 bar

Cycles per minute (short term):

180 cycles / min

Material

1Y (1.4404 (316L))
35 (Nickel plated brass))

Ports

01 (1/8" NPT (F))
11 (1/8" BSPP (F))



Flow rate range

- Water: 7.8 to 307 l/h, at 2 bar
- Air: 7.5 to 28.4 m³/h i.N., at 2 bar

Further information and ordering data on request.

Nozzle body configurations

