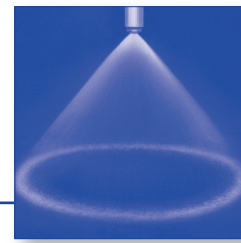




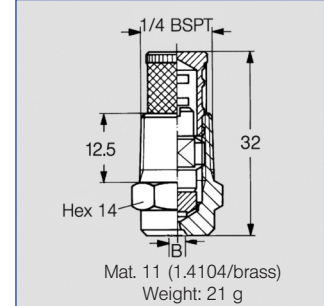
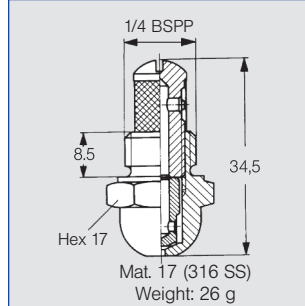
Axial-flow hollow cone nozzles

Series 212



Extremely fine, fog-like hollow cone spray.

Applications:
Disinfection, humidification of air, spraying over germinating boxes, product humidification, humidification of textiles, spraying of oil, absorption.



Spray angle	Ordering no.				B ∅ [mm]	E ∅ [mm]	ṽ [l/min]						Spray diameter D at p=7 bar H = 100 mm	
	Type	Mat. no.		Code			p [bar]							
		11 AISI 430F/Brass	17 AISI 316Ti					2.0	3.0	5.0	7.0	10.0		20.0
60°	212.004	-	○	AC	-	0.10	0.10	-	-	0.013	0.015	0.018	0.025	80
	212.014	-	○	AC	-	0.15	0.15	-	-	0.019	0.023	0.027	0.039	80
	212.054	-	○	AC	-	0.20	0.15	-	-	0.027	0.033	0.039	0.057	80
80°	212.085	○*	○**	-	CC	0.25	0.25	-	-	0.040	0.047	0.057	0.080	140
	212.125	○*	○**	AC	CC	0.35	0.25	-	0.048	0.062	0.073	0.088	0.124	140
	212.145	○	-	-	CC	0.40	0.30	-	0.063	0.082	0.097	0.116	0.164	140
	212.165	○	-	-	CC	0.45	0.30	-	0.080	0.103	0.122	0.146	0.206	140
	212.185	○	-	-	CC	0.50	0.35	-	0.101	0.130	0.154	0.184	0.260	140
	212.205	○	-	-	CC	0.60	0.35	0.107	0.131	0.168	0.199	0.238	0.336	140
	212.245	○	-	-	CC	0.70	0.45	0.166	0.202	0.261	0.310	0.370	0.522	140
	212.285	○*	○**	AC	CC	0.90	0.60	0.262	0.320	0.390	0.460	0.550	0.770	140

B = bore diameter · E = narrowest free cross section

*Only available with code CC

**Only available with code AC

The integrated strainer avoids clogging of the nozzle and increases its service life.

Example for ordering: Type + Material-No. + Code = Ordering no.
212.004 + 17 + AC = 212.004.17.AC

Materials			
Material no.	Nozzle	Strainer holder	Strainer
11	AISI 430F	Messing	Monel
17	AISI 316Ti	AISI 316Ti	AISI 316Ti

The folded page at the end of the catalogue will give you a survey on the various assembly possibilities.

For complete assembly accessories, please refer to »Accessories«.

Conversion formula for the above series: $\dot{V}_2 = \dot{V}_1 \cdot \sqrt{\frac{p_2}{p_1}}$

