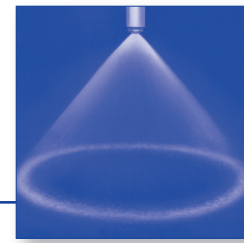




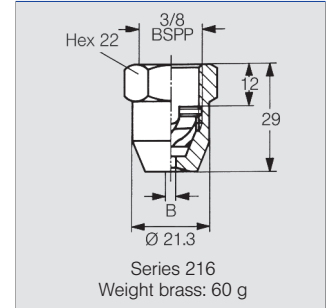
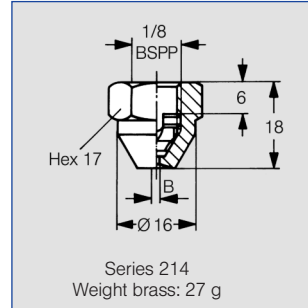
Axial-flow hollow cone nozzles

Series 214 / 216



Fine, uniform hollow cone spray.

Applications:
Cooling and cleaning of air and gas, dust control, spraying onto filters, spray drying, desuperheating.



Spray angle	Ordering no.		G	B Ø [mm]	E Ø [mm]	\dot{V} [l/min]							Spray diameter D at p=3 bar H = 250 mm					
	Type	Mat. no.				p [bar]												
						17	30	0.5	1.0	2.0	3.0	5.0		10.0	20.0			
60°	214. 184	○ ○	1/8"	0.50	0.50	-	-	0.08	0.10	0.13	0.18	0.25	200					
						0.5	1.0	2.0	3.0	5.0	10.0	20.0						
80°	214. 245	○ ○	1/8"	1.00	0.50	-	-	0.16	0.20	0.25	0.36	0.51	450					
						214. 305	○ ○	1/8"	1.80	0.50	-	0.23		0.32	0.39	0.51	0.72	1.01
60°	216. 324	○ ○	3/8"	1.00	1.00	-	0.28	0.40	0.49	0.63	0.89	1.26	200					
						216. 364	○ ○	3/8"	1.40	1.40	-	0.45		0.63	0.77	1.00	1.41	1.99
						216. 404	○ ○	3/8"	2.00	2.00	-	0.71		1.00	1.22	1.58	2.24	3.16
90°	216. 496	○ ○	3/8"	3.00	2.00	-	1.20	1.70	2.08	2.69	3.80	5.38	500					
						216. 566	○ ○	3/8"	4.00	2.00	-	1.77		2.50	3.06	3.95	5.59	7.91
						216. 646	○ ○	3/8"	3.50	2.00	2.00	2.83		4.00	4.90	6.32	8.94	12.65
						216. 686	○ ○	3/8"	4.00	2.00	2.50	3.54		5.00	6.12	7.91	11.18	15.81
						216. 726	○ ○	3/8"	5.00	2.00	3.15	4.45		6.30	7.72	9.96	14.09	19.92
						216. 776	○ ○	3/8"	6.00	2.00	4.30	6.00		8.50	10.40	13.40	19.00	26.90

B = bore diameter · E = narrowest free cross section

Example	Type	+	Material no.	=	Ordering no.
for ordering	214. 184	+	17	=	214. 184. 17

The folded page at the end of the catalogue will give you a survey on the various assembly possibilities. For complete assembly accessories, please refer to »Accessories«.

