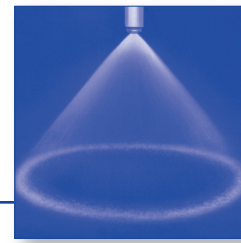


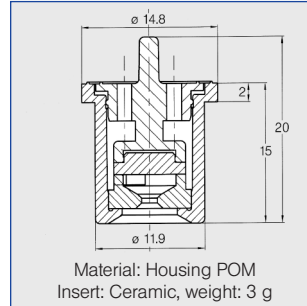


Axial-flow hollow cone nozzles for retaining nut Series 2TR



Hollow cone nozzle with ceramic insert. Assembly with retaining nut. Fine, uniform hollow cone spray.

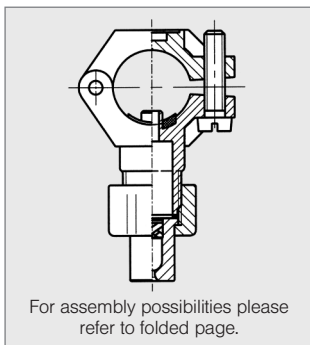
Applications:
Humidification of air, cooling and cleaning of gases, dust control, spraying onto filters.



Spray angle	Ordering no.	Colour	B Ø [mm]	E Ø [mm]	\dot{V} [l/min]						Spray diameter D at p=3 bar H = 250 mm
	Type				p [bar] [p _{max} = 20 bar]						
					1.0	2.0	3.0	5.0	7.0	10.0	
80°	2TR. 245. C8	lilac	0.65	0.55	-	0.16	0.20	0.25	0.30	0.36	450
	2TR. 275. C8	black	0.80	0.70	0.16	0.22	0.27	0.35	0.41	0.49	450
	2TR. 305. C6	orange	0.90	0.80	0.23	0.32	0.39	0.51	0.60	0.72	450
	2TR. 345. C6	green	1.10	0.90	0.34	0.48	0.59	0.76	0.90	1.07	450
	2TR. 365. C6	yellow	1.40	0.95	0.45	0.63	0.78	1.01	1.19	1.42	450
	2TR. 405. C6	blue	1.70	1.10	0.68	0.96	1.17	1.52	1.79	2.14	450
	2TR. 445. C6	red	2.00	1.20	0.89	1.26	1.55	2.02	2.37	2.83	450
	2TR. 485. C6	brown	2.20	1.30	1.11	1.57	1.94	2.50	2.96	3.54	450

B = bore diameter · E = narrowest free cross section

The folded page at the end of the catalogue will give you a survey on the various assembly possibilities. For complete assembly accessories, please refer to »Accessories«.



Conversion formula for the above series: $\dot{V}_2 = \dot{V}_1 \cdot \sqrt{\frac{p_2}{p_1}}$