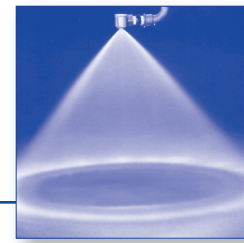




Tangential-flow hollow cone nozzles

Brass versions

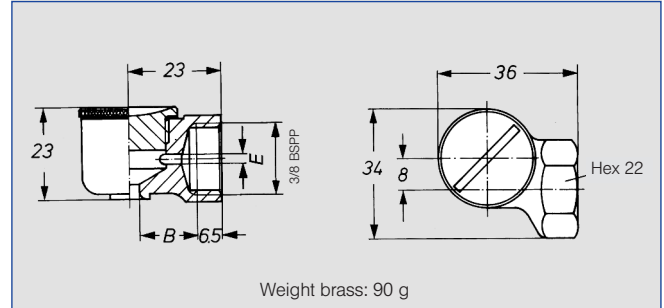
Series 302 / 308



Uniform hollow cone spray. Non-clogging nozzle, without swirl insert.

Applications:

Humidification of air in air washers, dust control, spraying onto filters, foam control, cooling.



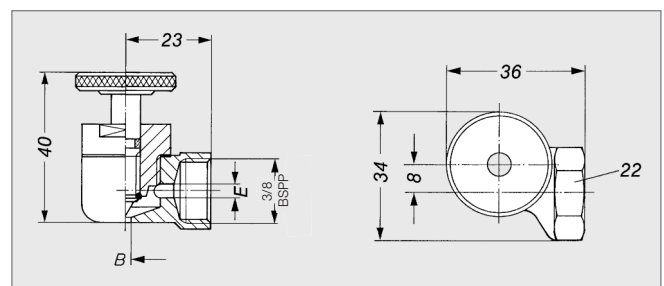
Spray angle	Ordering no.		B Ø [mm]	E Ø [mm]	\dot{V} [l/min]								Spray diameter D at p=2 bar	
	Type	Mat. no.			p [bar]								H =	
					30	1Y	0.5	1.0	2.0	3.0	5.0	7.0	10.0	250 mm
		Brass	AISI 316L											
60°	302.364	○	-	1.50	1.50	0.31	0.45	0.63	0.77	1.00	1.18	1.41	200	350
	302.464	○	○	2.00	2.00	0.70	0.99	1.40	1.71	2.21	2.62	3.13	300	560
80°	302.545	○	○	4.90	2.30	1.12	1.58	2.24	2.74	3.54	4.19	5.01	400	700
90°	302.606	○	○	4.60	4.00	1.57	2.23	3.15	3.86	4.98	5.89	7.04	450	750
130°	302.368	○	○	3.00	1.00	0.31	0.45	0.63	0.77	1.00	1.18	1.41	800	1500
	302.468	○	○	5.00	1.70	0.70	0.99	1.40	1.71	2.21	2.62	3.13	800	1500
	302.548	○	-	5.00	2.50	1.12	1.58	2.24	2.74	3.54	4.19	5.01	800	1500
	302.608	○	○	5.00	3.50	1.57	2.23	3.15	3.86	4.98	5.89	7.04	1000	1800
	302.668	○	-	7.50	3.60	2.25	3.18	4.50	5.51	7.12	8.42	10.06	1200	2000
	302.748	○	-	7.50	4.80	3.55	5.02	7.10	8.70	11.23	13.28	15.88	1200	2000

B = bore diameter · E = narrowest free cross section

Flow rate adjustable. Decrease in flow rate causes narrower spray angle.

Applications:

Dust control, foam control.



Spray angle	Ordering no.		B Ø [mm]	E Ø [mm]	\dot{V}_{max} [l/min]						Spray diameter D at p=2 bar		
	Type	Mat.-Nr.			p [bar]						H =		
					30	0.3	0.5	1.0	2.0	5.0	10.0	250 mm	500 mm
		Brass											
90°	308.466	○	2.0	2.0	0.54	0.70	1.00	1.40	2.21	3.13	400	880	
	308.606	○	4.0	4.0	1.22	1.58	2.23	3.15	4.98	7.04	450	950	

B = bore diameter · E = narrowest free cross section

Example for ordering	Type	+	Material no.	=	Ordering no.
	308.466	+	30	=	308.466.30

