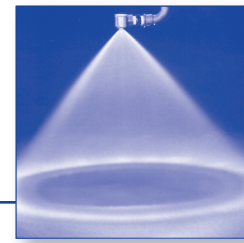




Tangential-flow hollow cone nozzles

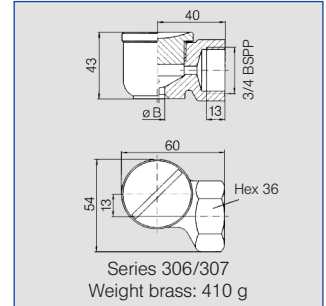
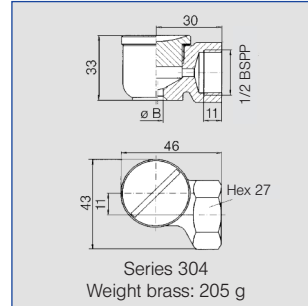
Series 304 / 306 / 307



**Uniform hollow cone spray.
Non-clogging nozzle,
without swirl insert.**

Applications:

Fire fighting, protection of storage tanks, foam control.



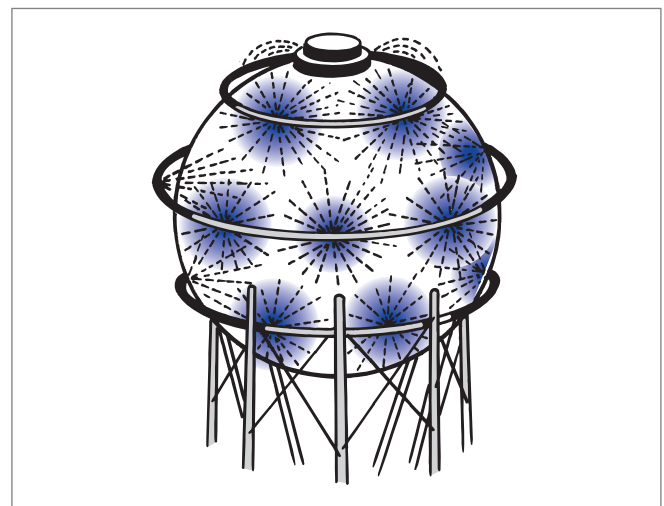
| Spray angle | Ordering no. | | G | B ∅ [mm] | E ∅ [mm] | V̇ [l/min] | | | | | | | | Spray diameter D at p=2 bar | |
|-------------|--------------|----------|------|----------------|----------------|------------|-------|-------|-------|-------|-------|-------|--------|-----------------------------------|------|
| | Type | Mat. no. | | | | p [bar] | | | | | | | | H = | |
| | | | | | | 0.5 | 1.0 | 2.0 | 3.0 | 5.0 | 7.0 | 10.0 | 250 mm | 500 mm | |
| | 30 | 1Y | BSPP | | | | | | | | | | | | |
| 90° | 304. 706 | ○ | ○ | 1/2" | 5.10 | 5.10 | 2.80 | 3.96 | 5.60 | 6.86 | 8.85 | 10.47 | 12.52 | 450 | 750 |
| | 304. 796 | ○ | ○ | 1/2" | 8.90 | 6.00 | 4.75 | 6.72 | 9.50 | 11.64 | 15.02 | 17.77 | 21.24 | 450 | 750 |
| | 306. 906 | ○ | ○ | 3/4" | 9.00 | 9.00 | 9.00 | 12.73 | 18.00 | 22.05 | 28.46 | 33.68 | 40.25 | 470 | 850 |
| | 306. 976 | ○ | ○ | 3/4" | 13.50 | 10.00 | 13.25 | 18.74 | 26.50 | 32.46 | 41.90 | 49.58 | 59.26 | 470 | 850 |
| 130° | 304. 818 | ○ | - | 1/2" | 12.00 | 5.00 | 5.30 | 7.50 | 10.60 | 12.98 | 16.76 | 19.83 | 23.70 | 1400 | 1800 |
| | 304. 898 | ○ | ○ | 1/2" | 12.00 | 7.00 | 8.50 | 12.02 | 17.00 | 20.82 | 26.88 | 31.80 | 38.01 | 1400 | 1800 |
| | 306. 978 | ○ | - | 3/4" | 19.00 | 7.30 | 13.25 | 18.74 | 26.50 | 32.46 | 41.90 | 49.58 | 59.25 | 1450 | 2400 |
| | 307. 018 | ○ | ○ | 3/4" | 19.00 | 8.60 | 16.75 | 23.69 | 33.50 | 41.03 | 52.97 | 62.67 | 74.91 | 1450 | 2400 |

B = bore diameter · E = narrowest free cross section

| | | | | | |
|----------------------|-----------------|----------|---------------------|----------|---------------------|
| Example | Type | + | Material no. | = | Ordering no. |
| for ordering: | 304. 706 | + | 30 | = | 304. 706. 30 |

The folded page at the end of the catalogue will give you a survey on the various assembly possibilities.

For complete assembly accessories, please refer to »Accessories«.



Fire protection on spherical storage tank.

For further informations please ask for our brochure about fire protection.