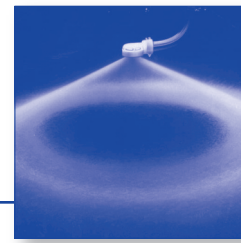




Tangential-flow hollow cone nozzles

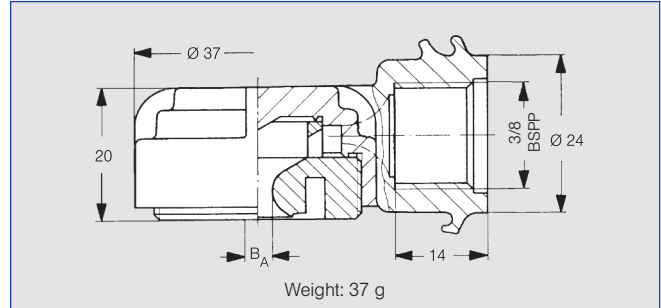
Series 350



High-performance eccentric spray nozzles for air-conditioning. Narrow drop spectrum and extremely uniform distribution of liquid over the entire spray pattern.

Applications:

Humidification of air in air washers, dust control, spraying onto filters, foam control.

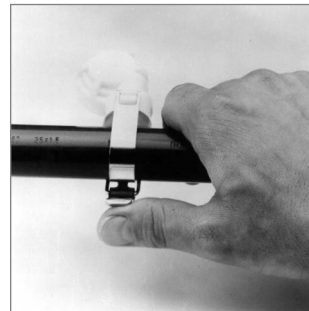
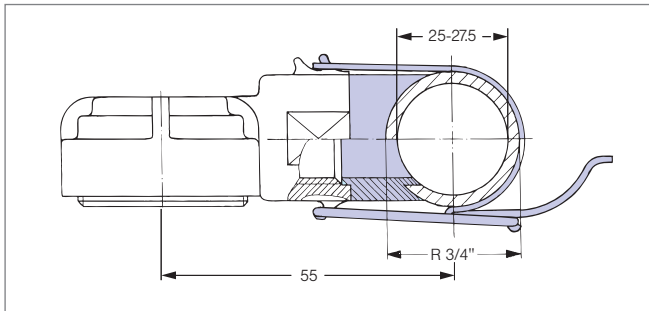


| Spray angle | Ordering no. | | B Ø [mm] | E Ø [mm] | \dot{V} [l/min] | | | | | | | Spray diameter D at p=2 bar | |
|-------------|--------------|----------|-------------|-------------|---------------------------|------|------|------|------|------|------|-----------------------------|--------|
| | Type | Mat.-Nr. | | | p [bar] | | | | | | | H | |
| | | | | | p _{max} : 20 bar | | | | | | | 250 mm | 500 mm |
| 130° | 350.368 | ○ | 1.55 | 0.70 | 0.32 | 0.45 | 0.63 | 0.77 | 1.00 | 1.18 | 1.41 | 1120 | 2000 |
| | 350.608 | ○ | 5.00 | 1.40 | 1.58 | 2.23 | 3.15 | 3.86 | 4.98 | 5.89 | 7.04 | 1140 | 2100 |

B = bore diameter · E = narrowest free cross section

| | | | | | |
|------------------------------|-------------|----------|---------------------|----------|---------------------|
| Example for ordering: | Type | + | Material no. | = | Ordering no. |
| | 350.368 | + | 56 | = | 350.368.56 |

Accessories



Quick snap clamp unit · **Ord.-no.: 035.030.15.05.00.0**
consisting of: Stainless steel clamp and polyurethan gasket

Bore-ø: 18 mm

Conversion formula for the above series: $\dot{V}_2 = \dot{V}_1 \cdot \sqrt{\frac{p_2}{p_1}}$

