



Tangential-flow hollow cone nozzles

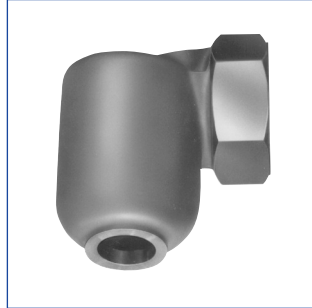
Series 373 »Ramp Bottom« / 309



Fine, uniform hollow cone spray, also at low pressures.

Applications:

cooling and cleaning of gas, water re-cooling, dust control, chemical process engineering.



Sectional view of a series 373 »Ramp Bottom« nozzle

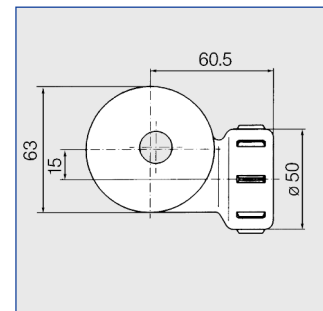
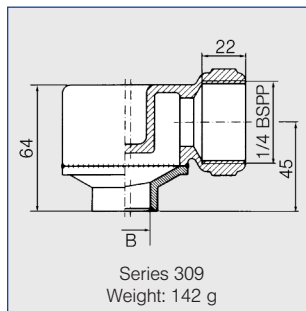
»Ramp Bottom« design offering a longer service life, due to the patented »sloping« shape of the swirl chamber.

Dimensions

BSPP	L [mm]	D [mm]	H [mm]	E [mm]	SW	Weight AISI 316Ti [g]
1	67	45	52	6.3	41	285
1 1/4	77	51	65	7.9	48	570
1 1/2	97	65	81	7.9	58	900

Series 373 »Ramp Bottom«

Less expensive plastic version, with low requirements on temperature and abrasion resistance.



Spray angle	Ordering no.				B Ø [mm]	\dot{V} [l/min]						Spray diameter D at p=2 bar		
	Type	Mat. no.	Code			p [bar]								
			AISI 316	1 BSPP		1 1/4 BSPP	1 1/2 BSPP	0.3	0.5	1.0	2.0			5.0
70°	373. 115	○	AN	-	-	11.40	24.40	31.50	44.50	63.00	99.60	141.00	650	1300
80°	373. 175	○	AN	-	-	12.90	31.00	40.00	56.60	80.00	126.00	179.00	800	1550
	373. 235	○	-	AQ	-	16.20	45.70	59.00	83.40	118.00	187.00	264.00	700	1350
	373. 285	○	-	AQ	-	20.50	62.00	80.00	113.00	160.00	253.00	358.00	800	1550
	373. 325	○	-	-	AS	22.20	77.50	100.00	141.00	200.00	316.00	447.00	800	1550
	373. 365	○	-	-	AS	23.60	67.90	114.00	161.00	227.00	359.00	508.00	700	1400

Plastic version:

90°	309. 236. 5E	(Material PVDF)	20.00	45.70	59.00	83.40	118.00	187.00	264.00	850	1500
	309. 286. 5E	(Material PVDF)	24.00	62.00	80.00	113.00	160.00	253.00	358.00	750	1400

B = bore diameter

Example for ordering Type + Material no. + Code = Ordering no.
 373. 115 + 17 + AN = 373. 115. 17. AN

Conversion formula for the above series: $\dot{V}_2 = \dot{V}_1 * \sqrt{\frac{p_2}{p_1}}$

