



Axial-flow full cone nozzles

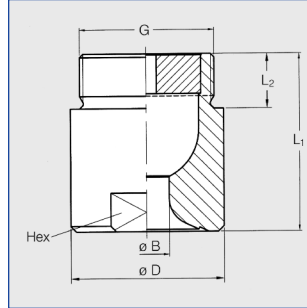
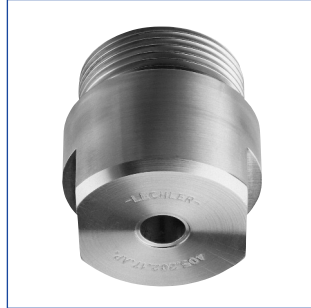
Series 405



Very uniform spray pattern.

Applications:

Surface spraying, spraying over packings, cleaning and washing process, chemical process engineering, cooling of gaseous fluids and solids, water treatment.



Dimensions [mm]				
G	L ₁	L ₂	D	Hex
1 1/4 BSPP	50	19	49	41
1 1/2 BSPP	60	19	59	50
2 BSPP	78	24	68	60

Spray angle	Ordering no.					B ∅ [mm]	E ∅ [mm]	V̇ [l/min]						Spray diameter D at p=2 bar		
	Type	Mat.-no.		Code				p [bar]						H =		
		1Y	30					0.3	0.5	1.0	2.0	3.0	5.0	0.5 m	1 m	
		AISI 316L	Brass	1 1/4 BSPP	1 1/2 BSPP	2 BSPP										
60°	405. 204	●	●	AP	-	-	11.20	5.80	47	57	76	100	118	144	560	1040
	405. 284	●	●	-	AR	-	14.30	7.00	75	92	121	160	188	231	580	1080
	405. 324	●	●	-	-	AV	16.40	7.50	94	115	152	200	235	289	580	1080
	405. 364	●	●	-	-	AV	18.40	8.50	117	144	189	250	294	361	580	1080
	405. 404	●	●	-	-	AV	20.00	7.00	147	181	239	315	370	454	580	1100
90°	405. 206	●	●	AP	-	-	12.00	5.00	47	57	76	100	118	144	780	1450
	405. 286	●	●	-	AR	-	15.20	6.20	75	92	121	160	188	231	800	1550
	405. 326	●	●	-	-	AV	17.20	7.70	94	115	152	200	235	289	850	1600
	405. 366	●	●	-	-	AV	19.50	8.70	117	144	189	250	294	361	850	1600
	405. 406	●	●	-	-	AV	22.00	9.50	147	181	239	315	370	454	850	1600
120°	405. 208	●	●	AP	-	-	12.70	5.00	47	57	76	100	118	144	1450	2600
	405. 288	●	●	-	AR	-	16.00	6.60	75	92	121	160	188	231	1500	2700
	405. 328	●	●	-	-	AV	17.80	7.90	94	115	152	200	235	289	1500	2800
	405. 368	●	●	-	-	AV	20.10	8.80	117	144	189	250	294	361	1500	2800
	405. 408	●	●	-	-	AV	22.40	9.10	147	181	239	315	370	454	1500	2800

B = bore diameter · E = narrowest free cross section

Example Type + Material-no. + Code = Ordering no.
for Ordering: 405. 204 + 1Y + AP = 405. 204. 1Y. AP

Conversion formula for the above series: $\dot{V}_2 = \dot{V}_1 * \left(\frac{p_2}{p_1}\right)^{0,4}$
 (≤ 10 bar)

