



# Tangential-flow full cone nozzles

## Plastic version

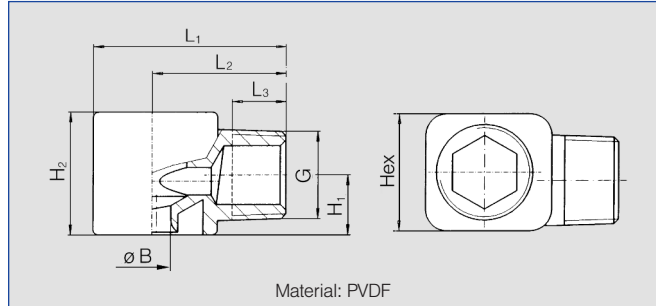
### Series 422 / 423



**Tangentially arranged liquid supply. Without swirl inserts. Non-clogging. Stable spray angle. Uniform spray.**

Applications:

Cleaning and washing process, cooling of gaseous fluids and solids, surface spraying, spraying onto mats in air washers, improving on chemical reactions, foam control.



Material: PVDF

Dimensions [mm]							Weight PVDF
G	L <sub>1</sub>	L <sub>2</sub>	L <sub>3</sub>	H <sub>1</sub>	H <sub>2</sub>	Hex	
1/4 BSPT	28.0	20.0	9.8	8.0	16.0	16.0	7 g
3/8 BSPT	36.0	25.0	10.1	11.2	23.0	22.0	16 g
1/2 BSPT	49.5	33.5	13.2	19.2	38.0	32.0	40 g
3/4 BSPT	58.5	38.5	18.5	24.5	50.0	41.0	50 g

Spray angle	Ordering no.				B Ø [mm]	E Ø [mm]	V̇ [l/min]							Spray diameter D at p=1-10 bar				
	Type	Mat. no. 5E	Code				p [bar]							Diagram				
			PVDF	1/4 BSPT			3/8 BSPT	1/2 BSPT	3/4 BSPT	0.5	1.0	2.0	[US gal./min] at 40 psi	3.0	5.0	10.0	H = 200 mm	H = 500 mm
60°	422. 724	○	-	CE	-	-	3.60	3.60	3.15	4.45	6.30	1.95	7.72	9.96	14.09	225	510	
	90°	422. 406	○	CC	-	-	-	1.50	1.45	0.50	0.71	1.00	0.31	1.22	1.58	2.24	380	860
		422. 566	○	CC	-	-	-	2.30	2.20	1.25	1.77	2.50	0.78	3.06	3.95	5.59	380	860
		422. 606	○	-	CE	-	-	2.60	2.50	1.57	2.23	3.15	0.98	3.86	4.98	7.04	380	860
		422. 646	○	-	CE	-	-	3.00	2.90	2.00	2.83	4.00	1.24	4.90	6.32	8.94	390	960
		422. 726	○	-	CE	-	-	3.70	3.60	3.15	4.45	6.30	1.95	7.72	9.96	14.09	390	960
		422. 806	○	-	CE	-	-	4.65	4.60	5.00	7.07	10.00	3.10	12.25	15.81	22.36	390	960
		422. 846	○	-	CE	-	-	5.30	5.30	6.25	8.84	12.50	3.88	15.31	19.76	27.95	390	960
		422. 886	○	-	CE	-	-	5.80	6.00	8.00	11.31	16.00	4.96	19.60	25.30	35.78	390	960
		422. 926	○	-	-	CG	-	7.30	7.30	10.00	14.14	20.00	6.20	24.49	31.62	44.72	390	960
422. 966	○	-	-	CG	-	8.00	8.00	12.50	17.68	25.00	7.75	30.62	39.53	55.90	390	960		
423. 006	○	-	-	CG	-	8.70	8.70	15.75	22.27	31.50	9.77	38.58	49.81	70.44	390	960		
423. 126	○	-	-	-	CK	12.00	12.00	31.50	44.55	63.00	19.54	77.16	99.61	140.87	390	960		
120°	422. 408	○	CC	-	-	-	1.50	1.45	0.50	0.71	1.00	0.31	1.22	1.58	2.24	680	1220	
	422. 448	○	CC	-	-	-	1.65	1.60	0.62	0.88	1.25	0.39	1.53	1.98	2.80	680	1220	
	422. 488	○	CC	-	-	-	1.90	1.90	0.80	1.13	1.60	0.50	1.96	2.53	3.58	680	1220	
	422. 568	○	CC	-	-	-	2.40	2.40	1.25	1.77	2.50	0.78	3.06	3.95	5.59	680	1220	
	422. 728	○	-	CE	-	-	4.00	3.90	3.15	4.45	6.30	1.95	7.72	9.96	14.09	680	1600	
	422. 888	○	-	CE	-	-	6.60	6.00	8.00	11.31	16.00	4.96	19.60	25.30	35.78	680	1600	
	422. 968	○	-	-	CG	-	8.00	8.00	12.50	17.68	25.00	7.75	30.62	39.53	55.90	680	1600	
	423. 008	○	-	-	CG	-	8.70	8.70	15.75	22.27	31.50	9.77	38.58	49.81	70.44	680	1600	
	423. 128	○	-	-	-	CK	12.70	12.30	31.50	44.55	63.00	19.54	77.16	99.61	140.87	680	1600	

B = bore diameter · E = narrowest free cross section

The folded page at the end of the catalogue will give you a survey on the various assembly possibilities.

For complete assembly accessories, please refer to »Accessories«.

Example of ordering: Type + Material-no. + Code = Ordering no.  
422. 724 + 5E + CE = 422. 724. 5E. CE

Conversion formula for the above series:  $\dot{V}_2 = \dot{V}_1 \cdot \sqrt{\frac{p_2}{p_1}}$

