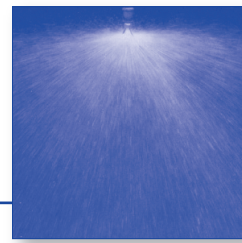




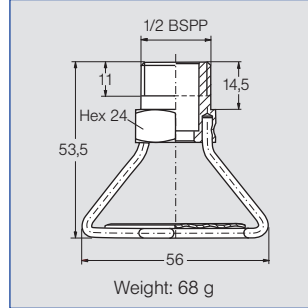
# Deflector-plate nozzle

## Series 525



**Full cone spray. Non clogging nozzle without swirl insert.**

Applications:  
Fire fighting and broadcast spraying, wide area spray.



Spray angle	Ordering no.		B Ø mm	$\dot{V}$ [l/min]						Spray diameter [D] at p=3 bar ca.	
	Type	Mat.-no.		p [bar]						 H = 1 m    H = 3 m	
				0.5	1.0	[US gal./min] at 40 psi	3.0	5.0	10.0		
180°	524. 809	30 17 <sup>1)</sup>	4.00	5.00	7.10	3.10	12.20	15.80	22.40	5.60 m	6.40 m
	525. 049	30 17 <sup>1)</sup>	8.00	20.00	28.30	12.41	49.00	63.20	89.40	10.00 m	13.20 m
	525. 109	30 -	9.30	28.00	40.00	17.37	69.00	89.00	125.00	10.20 m	13.40 m
	525. 169	30 -	10.90	40.00	57.00	24.81	98.00	126.00	179.00	10.60 m	13.60 m
	525. 229	30 -	12.20	56.00	79.00	34.73	137.00	177.00	250.00	6.80 m	10.40 m
	525. 269	30 -	12.30	70.00	99.00	43.42	171.00	221.00	313.00	5.20 m	10.20 m

<sup>1)</sup>We reserve the right to deliver AISI 316Ti or AISI 316L under the material no. 17.  
B = bore diameter

<b>Example for ordering:</b>	<b>Type</b>	<b>+</b>	<b>Material-no.</b>	<b>=</b>	<b>Ordering no.</b>
	525.809	+	30	=	525. 809. 30

Version with dust protection cap on request.



For information on further fire fighting nozzles please refer to our brochure, »Lechler nozzles for fire fighting«. Please ask for this brochure, using the telefax form at the end of the catalogue.