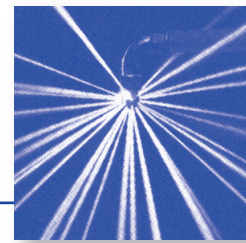




## Cluster solid stream nozzle

### Series 540/541

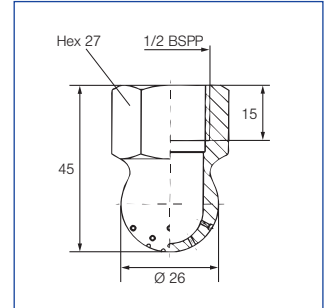
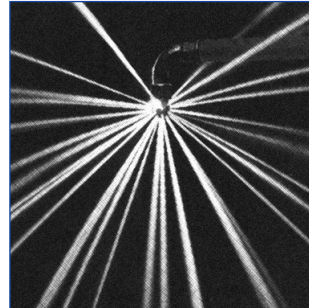



#### Several sharp solid jets.

Also to use with air or saturated steam (see chapter „Air nozzles“).

#### Application

Storage tank cleaning, aerating of bulk goods, recycling of liquids, as well as for accelerating chemical process reactions.



Spray angle 	Ordering no. Type	E Ø [mm]	$\dot{V}$ [l/min]			
			p [bar]			
			0,5	2	5	40 psi [US gal./min]
approx. 240°	<b>540.909.16</b>	0.8	9.0	18.0	28.5	5.6
	<b>540.989.16</b>	1.0	14.0	28.0	44.3	8.7
	<b>541.109.16</b>	1.5	28.5	57.0	90.1	17.7
	<b>541.189.16</b>	2.0	45.0	90.0	142.3	27.9
	<b>541.239.16</b>	2.3	59.0	118.0	186.6	36.6

E = narrowest free cross section