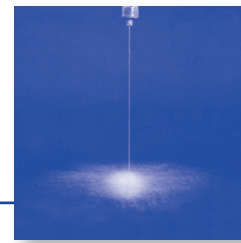




Solid stream nozzles

Series 544



Long, closed jet with punctiform impact pattern.
Optimized flow conditions.
Highest jet power. Concentrated solid stream jet.

Applications:
 Cleaning installations.



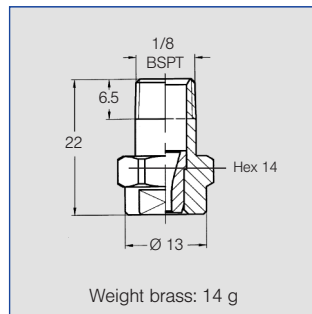
Series 544.110 – 544.400
 (Material 16 and 30)



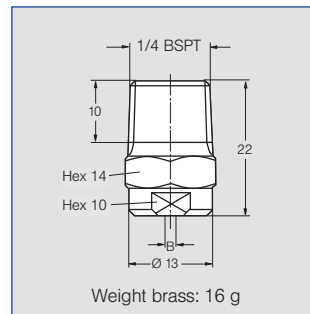
Series 544.480 – 544.800
 (Material 16)



Series 544.480 – 544.800
 (Material 30)



Weight brass: 14 g



Weight brass: 16 g

Ordering no.				B Ø [mm]	\dot{V} [l/min]											
Type	Mat. no.		Code		p [bar]											
	16	30				0.5	1.0	2.0	[US gal/ min] at 40 psi	3.0	5.0	10.0	15.0	20.0	30.0	
	ANSI 303	Brass	1/8 BSPT	1/4 BSPT												
544. 110	●	●	CA	CC	0.23	0.02	0.03	0.04	0.01	0.05	0.06	0.09	0.11	0.13	0.15	
544. 160	●	-	CA	CC	0.33	0.03	0.04	0.06	0.02	0.07	0.09	0.13	0.16	0.19	0.23	
544. 200	●	●	CA	CC	0.39	0.05	0.07	0.10	0.03	0.12	0.16	0.22	0.27	0.32	0.39	
544. 240	●	-	CA	CC	0.50	0.08	0.11	0.16	0.05	0.20	0.25	0.36	0.44	0.51	0.62	
544. 280	●	-	CA	CC	0.63	0.13	0.18	0.25	0.08	0.31	0.40	0.56	0.68	0.79	0.97	
544. 320	●	●	CA	CC	0.80	0.20	0.28	0.40	0.12	0.49	0.63	0.89	1.10	1.26	1.55	
544. 360	●	●	CA	CC	1.05	0.32	0.45	0.63	0.20	0.77	1.00	1.41	1.73	1.99	2.44	
544. 400	●	●	CA	CC	1.30	0.50	0.71	1.00	0.31	1.22	1.58	2.24	2.74	3.16	3.87	
544. 480	●	●	CA	CC	1.33	0.80	1.13	1.60	0.50	1.96	2.53	3.58	4.38	5.06	6.20	
544. 560	●	●	CA	CC	1.69	1.25	1.77	2.50	0.78	3.06	3.95	5.59	6.85	7.91	9.68	
544. 640	●	●	CA	CC	1.69	2.00	2.83	4.00	1.24	4.90	6.32	8.94	10.95	12.65	15.49	
544. 720	●	●	CA	CC	2.66	3.15	4.45	6.30	1.95	7.72	9.96	14.09	17.25	19.92	24.40	
544. 800	●	●	CA	CC	2.66	5.00	7.07	10.00	3.10	12.25	15.81	22.36	27.39	31.62	38.73	

B = bore diameter
 Can also be used for air or steam (see page 6.9).

The folded page at the end of the catalogue will give you a survey on the various assembly possibilities. For complete assembly accessories, please refer to »Accessories«.

Example Type + Material no. + Code = Ordering no.
for ordering: 544. 360 + 16 + CC = 544. 360. 16. CC