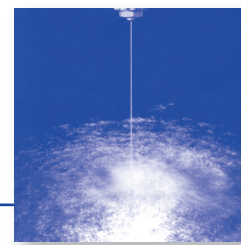




High-pressure solid stream nozzles

Series 546 / 548 / 550



Punctiform, extremely tight, non-dispersing solid stream. Highest impact.

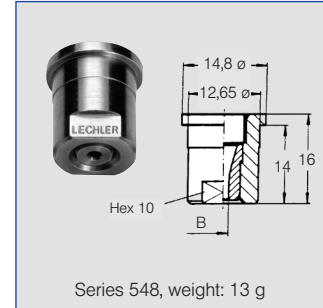
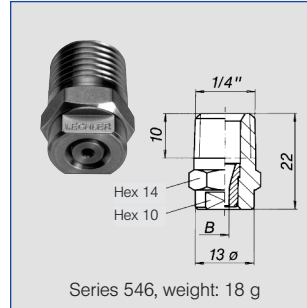
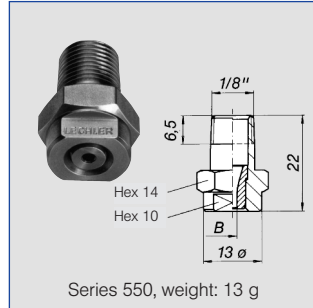
Applications:

High-pressure cleaning, cutting and separating.

Materials:

Nozzle body: Stainless steel
AISI 303

Insert: Hardened steel
1.4034S



US gal/min. at 40 psi	Nozzle Code			Flow rate code	B Ø [mm]	\dot{V} [l/min] (Tolerance $\pm 2\%$)						
	Connection		Retaining nut			p [bar]						
	1/8"	1/4"				40	60	80	100	150	200	300
02	550	546	548	360	0.84	2.86	3.50	4.04	4.52	5.54	6.39	7.83
03	550	546	548	400	1.03	4.31	5.28	6.10	6.82	8.35	9.64	11.81
034	550	546	548	410	1.07	4.70	5.80	6.70	7.49	9.17	10.59	12.97
035	550	546	548	420	1.11	5.06	6.20	7.16	8.00	9.80	11.32	13.86
04	550	546	548	450	1.19	5.80	7.10	8.20	9.17	11.23	12.97	15.88
045	550	546	548	470	1.26	6.54	8.00	9.25	10.34	12.66	14.62	17.91
05	550	546	548	480	1.33	7.29	8.92	10.30	11.52	14.11	16.29	19.95
055	550	546	548	500	1.39	7.96	9.75	11.26	12.59	15.42	17.80	21.81
06	550	546	548	520	1.46	8.70	10.66	12.31	13.76	16.85	19.46	23.83
08	550	546	548	570	1.69	11.48	14.06	16.23	18.15	22.23	25.67	31.44
10	550	546	548	600	1.88	14.32	17.54	20.25	22.64	27.73	32.02	39.21
15	550	546	548	670	2.30	21.60	26.46	30.55	34.16	41.84	48.31	59.17
20	550	546	548	720	2.66	28.85	35.34	40.80	45.62	55.87	64.52	79.02

B = bore diameter

Connection code	Connection	p _{max} [bar]
A3.00	BSPT	approx. 350
A3.07	NPT	approx. 350
A3.29	Lock nut	approx. 200

Example for ordering:	Nozzle Code	+	Flow rate code	+	Connection code	=	Ordering no.
	550		360		A3.07		550.360.A3.07 (Solid stream; 4.52 l/min. at 100 bar; 1/8" NPT)

Conversion formula for the above series: $\dot{V}_2 = \dot{V}_1 * \sqrt{\frac{p_2}{p_1}}$

