

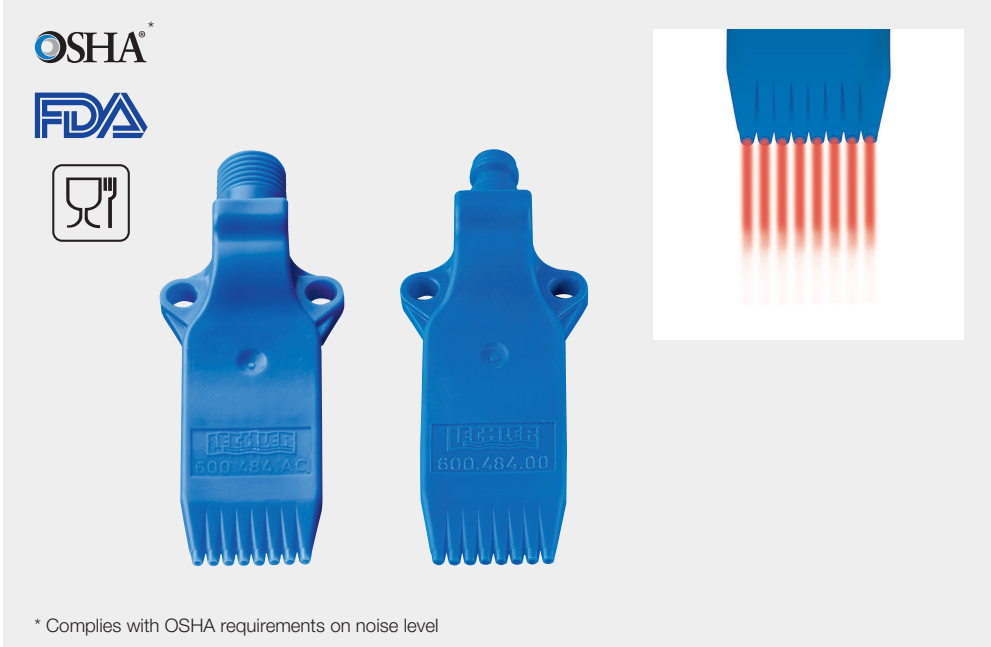


Multi-channel flat jet nozzles for air Whisperblast®, plastic versions Series 600.484.56

**Extremely
silent!**

Series 600.484.56

The multi-channel flat jet nozzles of the 600.484 series generate a compact, powerful air jet. Thanks to its narrow design, this nozzle outperforms with its low air consumption and low noise level. Since they are made completely of POM, these nozzles are also suitable for applications in the food industry.



Cost savings

22%



Noise reduction

22%



Material
POM



Blowing force
0.8 N at 2 bar



Noise level
65 db(A) at 2 bar



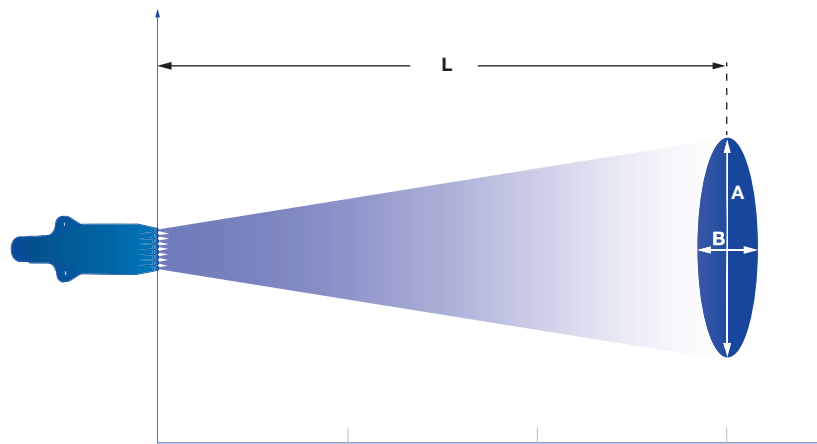
Air consumption
 $V_{LN} = 7.5 \text{ m}^3/\text{h}$ at 2 bar



Pressure
 $P_{\text{max}} = 6 \text{ bar}$



Max. temperature
50 °C

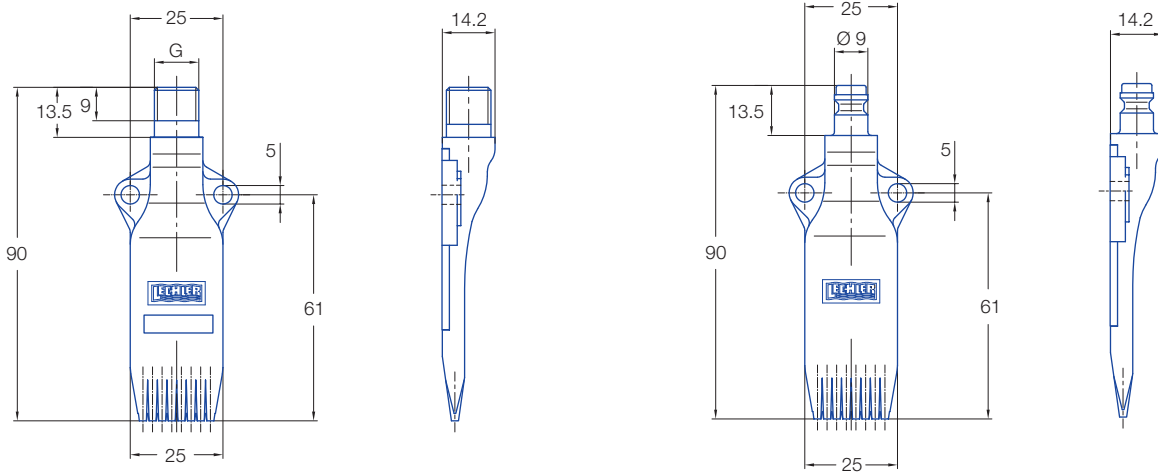


Jet pattern of 600.484 nozzle series

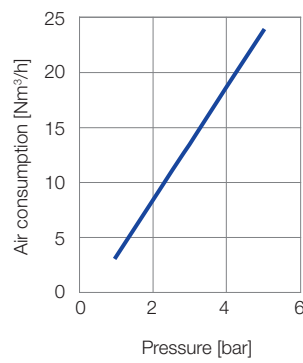
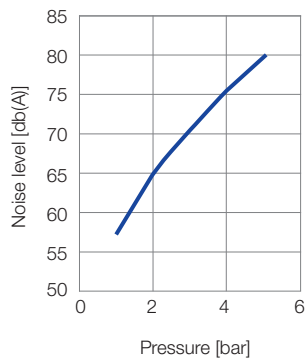
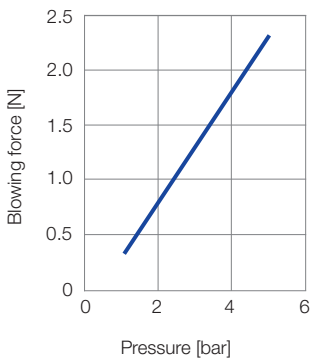
Pressure:	1 bar	3 bar	5 bar
Distance L [mm]:	350	600	850

Jet dimensions at L

A [mm]:	110	170	220
B [mm]:	80	120	170



Technical data



Ordering no.					
Type	Mat. no.	Code			
	POM	56	1/4 BSPP	1/4 NPT	M12 x 1.25
600.484	○	AC	BC	HG	00

Example of ordering: Type + Mat. no. + Code = Ordering no.
 600.484. + 56 + AC = 600.484.56.AC