



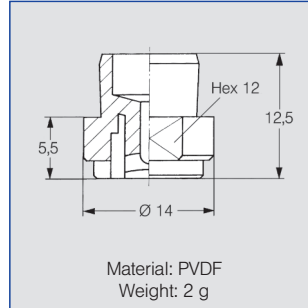
# Flat fan nozzles for pressing into pipes

## Series 612. XXX. 5E. 03



**For pressing into pipes.  
Stable spray pattern.  
Uniform, parabolic distribution of liquid.**

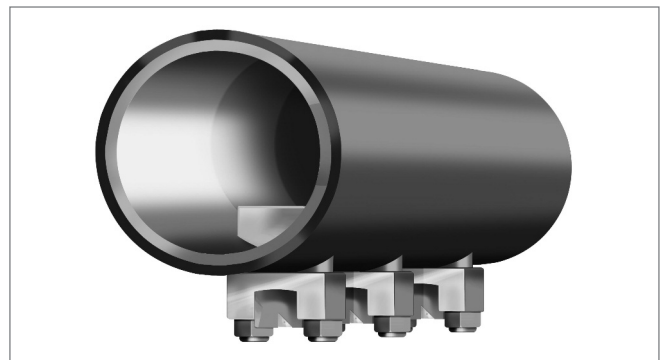
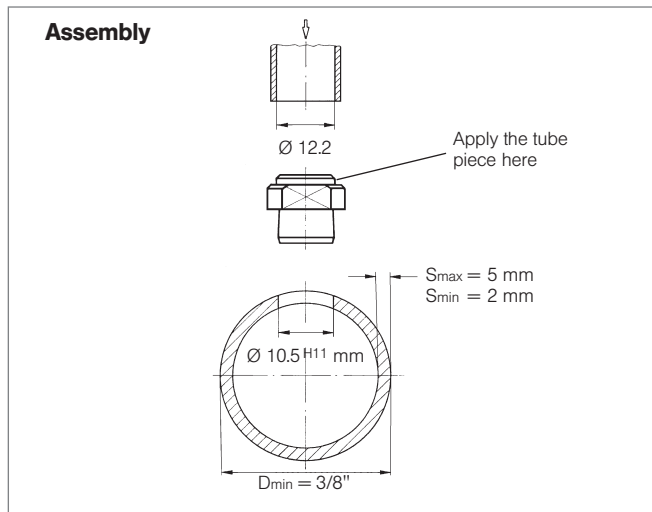
Applications:  
Cleaning and rinsing, dish washing.



Spray angle	Ordering no.		A Ø [mm]	E Ø [mm]	V̇ [l/min]						Spray width B at p = 2 bar	
	Type	Mat.-no.			p [bar] Pmax = 2 bar						H =	
					5E.03	0.3	0.5	0.7	1.0	1.5	2.0	250 mm
90°	612. 366	○	1.0	0.5	0.24	0.31	0.37	0.44	0.55	0.63	505	980
	612. 486	○	1.5	0.6	0.62	0.80	0.95	1.13	1.39	1.60	525	1020
120°	612. 487	○	1.5	0.6	0.62	0.80	0.95	1.13	1.39	1.60	800	1460
	612. 647	○	2.5	1.2	1.55	2.00	2.37	2.83	3.46	4.00	800	1460

A = Equivalent bore diameter · E = narrowest free cross section

Further nozzle sizes on request.



**Assembly:**  
Drill pipe (Ø 10 mm), ream to Ø 10,5<sup>H11</sup> mm, adjust, put tube (Ø 12,2 mm) on nozzle and drive in with a rubber mallet.  
Flow velocity in the pipe max. 2–3 m/s.

Example for ordering:	Type	+	Mat.-no.	=	Ordering no.
	612. 366	+	5E. 03	=	612. 366. 5E. 03