



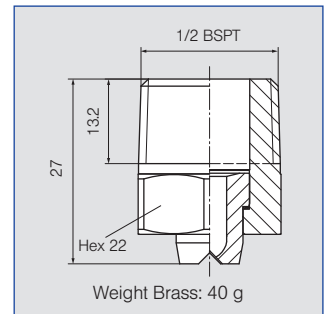
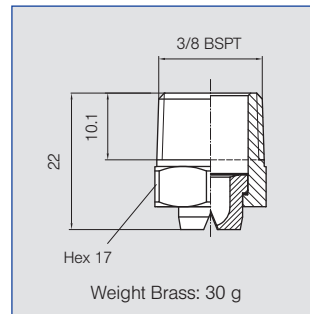
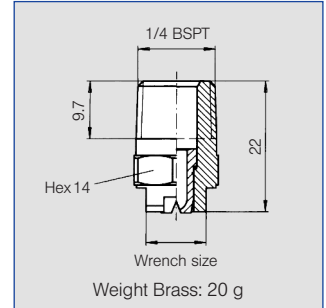
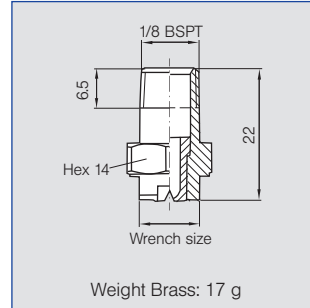
Flat fan nozzles

Series 632 / 633



Standard design with conical, self-sealing thread connection. Stable spray angle. Uniform, parabolical distribution of liquid. Spray pipes equipped with these nozzles show an extremely uniform total distribution of liquid.

Applications:
Spray cleaning, surface treatment, filter cleaning, belt cleaning, lubricating, coating.



Spray angle	Type	Ordering no.								A ∅ [mm]	E ∅ [mm]	V̇ [l/min]								Spray width B at p = 2 bar	
		Material-no.				Code						p [bar]								H =	
		16	17 ¹⁾	30	5E							0.5	1.0	2.0	3.0	5.0	7.0	10.0	250 mm	500 mm	
20°	632. 301	○	○	○	○	CA	CC	-	-	0.70	0.60	0.16*	0.23*	0.32	0.39	0.51	0.60	0.72	65	120	
	632. 361	○	○	○	○	CA	CC	-	-	1.00	0.80	0.31*	0.44*	0.63	0.77	1.00	1.18	1.40	70	130	
	632. 441	○	○	○	○	CA	CC	-	-	1.35	1.10	0.62*	0.88	1.25	1.53	1.98	2.34	2.80	75	145	
	632. 481	○	○	○	○	CA	CC	-	-	1.50	1.20	0.80*	1.13	1.60	1.96	2.53	2.99	3.58	75	150	
30°	632. 302	○	○	○	○	CA	CC	-	-	0.60	0.50	0.16*	0.23*	0.32	0.39	0.51	0.60	0.72	120	235	
	632. 362	○	○	○	○	CA	CC	-	-	1.00	0.70	0.31*	0.44*	0.63	0.77	1.00	1.18	1.40	120	235	
	632. 402	○	○	○	○	CA	CC	-	-	1.20	0.90	0.50*	0.71	1.00	1.23	1.58	1.87	2.24	120	235	
	632. 482	○	○	○	○	CA	CC	-	-	1.50	1.10	0.80*	1.13	1.60	1.96	2.53	2.99	3.58	120	235	
	632. 562	○	○	○	○	CA	CC	-	-	2.00	1.50	1.25	1.77	2.50	3.06	3.95	4.68	5.59	120	235	
	632. 642	○	○	○	-	-	CC	-	-	2.50	1.80	2.00	2.83	4.00	4.90	6.33	7.48	8.94	120	240	
	632. 722	○	○	○	-	-	CC	-	-	3.00	2.40	3.15	4.46	6.30	7.72	9.96	11.79	14.09	125	240	
	632. 762	○	○	○	-	-	CC	-	-	3.50	2.70	4.00	5.66	8.00	9.80	12.65	14.97	17.89	125	240	
	632. 802	○	○	○	-	-	CC	-	-	4.00	3.10	5.00	7.07	10.00	12.25	15.81	18.71	22.36	130	250	

¹⁾We reserve the right to deliver AISI 316Ti or AISI 316L under the material no. 17.
A = Equivalent bore diameter · E = narrowest free cross section
*Differing spray pattern
Subject to technical modifications.

Continued on next page.

The folded page at the end of the catalogue will give you a survey on the various assembly possibilities. For complete assembly accessories, please refer to »Accessories«.

Example Type + Material-no. + Code = Ordering no.
for ordering: 632. 301 + 16 + CA = 632. 301. 16 CC



Conversion formula for the above series: $\dot{V}_2 = \dot{V}_1 \cdot \sqrt{\frac{p_2}{p_1}}$



Flat fan nozzles

Series 632 / 633



Spray angle	Ordering no.								A Ø [mm]	E Ø [mm]	\dot{V} [l/min]								Spray width B at p = 2 bar		
	Type	Material-no.				Code					p [bar]										
		16	17 ¹⁾	30	5E																
		AISI 303	AISI 316Ti/AISI 316L	Brass	PVDF	1/8 BSPT	1/4 BSPT	3/8 BSPT			1/2 BSPT	0.5	1.0	2.0	3.0	5.0	7.0	10.0	H=250 mm	H=500 mm	
45°	632.303	○	○	○	-	CA	CC	-	-	0.70	0.50	0.16*	0.23*	0.32	0.39	0.51	0.60	0.72	150	270	
	632.363	○	○	○	○	CA	CC	-	-	1.00	0.60	0.31*	0.44*	0.63	0.77	1.00	1.18	1.40	155	280	
	632.403	○	○	○	○	CA	CC	-	-	1.20	0.90	0.50*	0.71	1.00	1.23	1.58	1.87	2.24	175	320	
	632.483	○	○	○	○	CA	CC	-	-	1.50	1.10	0.80*	1.13	1.60	1.96	2.53	2.99	3.58	180	340	
	632.563	○	○	○	○	CA	CC	-	-	2.00	1.40	1.25	1.77	2.50	3.06	3.95	4.68	5.59	185	355	
	632.643	○	○	○	○	CA	CC	-	-	2.50	1.80	2.00	2.83	4.00	4.90	6.33	7.48	8.94	195	370	
	632.673	○	○	○	-	-	CC	CE	-	-	2.70	2.00	2.83	3.36	4.75	5.82	7.51	8.89	10.62	200	375
	632.723	○	○	○	-	-	CC	CE	-	-	3.00	2.40	3.15	4.46	6.30	7.72	9.96	11.79	14.09	200	375
	632.763	○	○	○	-	-	CC	CE	-	-	3.50	2.60	4.00	5.66	8.00	9.80	12.65	14.97	17.89	200	380
	632.803	○	○	○	-	-	CC	CE	CG	-	4.00	3.00	5.00	7.07	10.00	12.25	15.81	18.71	22.36	205	385
	632.843	○	○***	○	-	-	CC	-	CG	-	4.50	3.40	6.25	8.84	12.50	15.31	19.76	23.39	27.95	205	385
	632.883	○	○	○	-	-	-	-	CG	-	5.00	3.80	8.00	11.31	16.00	19.60	25.30	29.93	35.78	220	440
632.923	○	○	○	-	-	-	-	CG	-	5.50	4.20	10.00	14.14	20.00	24.50	31.62	37.42	44.72	220	440	
632.963	○	○	○	-	-	-	-	CG	-	6.00	4.40	12.50	17.68	25.00	30.62	39.53	46.77	55.90	220	440	
60°	632.304	○	○	○	○	CA	CC	-	-	0.70	0.40	0.16*	0.23*	0.32	0.39	0.51	0.60	0.72	215	425	
	632.334	○	○	○	○	CA	CC	-	-	0.90	0.50	0.22*	0.32*	0.45	0.55	0.71	0.84	1.01	220	440	
	632.364	○	○	○	○	CA	CC	-	-	1.00	0.60	0.31*	0.44*	0.63	0.77	1.00	1.18	1.40	230	460	
	632.404	○	○	○	○	CA	CC	-	-	1.20	0.80	0.50*	0.71	1.00	1.23	1.58	1.87	2.24	245	485	
	632.444	○	○	○	○	CA	CC	-	-	1.35	0.90	0.62*	0.88	1.25	1.53	1.98	2.34	2.80	255	495	
	632.484	○	○	○	○	CA	CC	-	-	1.50	1.00	0.80*	1.13	1.60	1.96	2.53	2.99	3.58	260	510	
	632.514	○	○	○	○	CA	CC	-	-	1.65	1.10	0.95*	1.34	1.90	2.33	3.00	3.56	4.25	270	520	
	632.564	○	○	○	○	CA	CC	-	-	2.00	1.30	1.25	1.77	2.50	3.06	3.95	4.68	5.59	280	535	
	632.604	○	○	○	○	CA	CC	-	-	2.20	1.50	1.58	2.23	3.15	3.86	4.98	5.89	7.04	290	550	
	632.644	○	○	○	○**	-	CC	CE	-	-	2.50	1.60	2.00	2.83	4.00	4.90	6.33	7.48	8.94	295	565
	632.674	○	○	○	○**	-	CC	CE	-	-	2.70	1.80	2.38	3.36	4.75	5.82	7.51	8.89	10.62	300	575
	632.724	○	○	○	○**	-	CC	CE	-	-	3.00	2.10	3.15	4.46	6.30	7.72	9.96	11.79	14.09	305	590
	632.764	○	○	○	-	-	CC	CE	-	-	3.50	2.30	4.00	5.66	8.00	9.80	12.65	14.97	17.89	310	595
	632.804	○	○***	○	○**	-	CC	-	CG	-	4.00	2.60	5.00	7.07	10.00	12.25	15.81	18.71	22.36	310	595
	632.844	○	○***	○	○**	-	CC	-	CG	-	4.50	3.00	6.25	8.84	12.50	15.31	19.76	23.39	27.95	310	590
	632.884	○	○***	○	○**	-	CC	-	CG	-	5.00	3.40	8.00	11.31	16.00	19.60	25.30	29.93	35.78	300	570
	632.924	○	○	○	-	-	-	-	CG	-	5.50	4.10	10.00	14.14	20.00	24.50	31.62	37.42	44.72	330	630
	632.964	○	○	○	-	-	-	-	CG	-	6.00	4.20	12.50	17.68	25.00	30.62	39.53	46.77	55.90	330	630
633.004	○	○	-	-	-	-	-	CG	-	7.00	4.80	15.75	22.27	31.50	38.57	49.80	58.92	70.43	330	630	
633.044	○	○	-	-	-	-	-	CG	-	8.00	5.50	20.00	28.28	40.00	48.99	63.25	74.83	89.44	340	640	
633.084	○	○	-	-	-	-	-	CG	-	9.00	6.80	25.00	35.36	50.00	61.24	79.06	93.54	111.80	340	640	
75°	632.145	○	-	○	-	CA	CC	-	-	0.20	0.12	-	0.04*	0.05	0.06	0.08	0.09	0.11	280	550	
	632.165	○	-	○	-	CA	CC	-	-	0.20	0.08	-	0.05*	0.07	0.08	0.10	0.12	0.15	290	560	
	632.185	○	-	○	-	CA	CC	-	-	0.20	0.15	-	0.06*	0.08	0.10	0.13	0.15	0.18	300	575	
	632.215	○	-	○	-	CA	CC	-	-	0.40	0.20	-	0.08*	0.11	0.14	0.18	0.21	0.25	300	580	
	632.245	○	-	○	-	CA	CC	-	-	0.50	0.30	-	0.12*	0.16	0.20	0.26	0.30	0.36	310	585	
	632.275	○	-	○	-	CA	CC	-	-	0.60	0.30	0.11*	0.16*	0.22	0.27	0.35	0.41	0.49	310	590	

¹⁾We reserve the right to deliver AISI 316Ti or AISI 316L under the material no. 17.

Continued on next page.

A = Equivalent bore diameter · E = narrowest free cross section

*Differing spray pattern

**Only available with code CC.

***Only available with code CG.

Subject to technical modifications.

The folded page at the end of the catalogue will give you a survey on the various assembly possibilities.

For complete assembly accessories, please refer to »Accessories«.

Example Type + Material-no. + Code = Ordering no.
for ordering: 632.303. + 16 + CA = 632.303.16.CA

Conversion formula for the above series: $\dot{V}_2 = \dot{V}_1 * \sqrt{\frac{p_2}{p_1}}$





Flat fan nozzles

Series 632 / 633



Spray angle	Ordering no.								A Ø [mm]	E Ø [mm]	\dot{V} [l/min]							Spray width B at p = 2 bar		
	Type	Material-no.				Code					p [bar]									
		16	17 ¹⁾	30	5E															H=
		AISI 303	AISI 316Ti/AISI 316L	Brass	PVDF	1/8 BSPT	1/4 BSPT	3/8 BSPT			1/2 BSPT	0.5	1.0	2.0	3.0	5.0	7.0	10.0	250 mm	500 mm
90°	632. 216	○	-	○	-	CA	CC	-	-	0.40	0.20	-	0.08*	0.11	0.14	0.18	0.21	0.25	370	700
	632. 276	○	-	○	-	CA	CC	-	-	0.60	0.30	0.11*	0.16*	0.22	0.27	0.35	0.41	0.49	375	720
	632. 306	○	○	○	○	CA	CC	-	-	0.70	0.40	0.16*	0.23*	0.32	0.39	0.51	0.60	0.72	380	740
	632. 336	○	○	○	○	CA	CC	-	-	0.90	0.50	0.22*	0.32*	0.45	0.55	0.71	0.84	1.01	415	800
	632. 366	○	○	○	○	CA	CC	-	-	1.00	0.50	0.31*	0.44*	0.63	0.77	1.00	1.18	1.41	420	810
	632. 406	○	○	○	○	CA	CC	-	-	1.20	0.70	0.50*	0.71	1.00	1.23	1.58	1.87	2.24	430	820
	632. 446	○	○	○	○	CA	CC	-	-	1.35	0.80	0.62*	0.88	1.25	1.53	1.98	2.34	2.80	435	830
	632. 486	○	○	○	○	CA	CC	-	-	1.50	0.80	0.80*	1.13	1.60	1.96	2.53	2.99	3.58	440	835
	632. 516	○	○	○	○	CA	CC	-	-	1.65	0.90	0.95*	1.34	1.90	2.33	3.00	3.56	4.25	440	840
	632. 566	○	○	○	○	CA	CC	-	-	2.00	1.10	1.25	1.77	2.50	3.06	3.95	4.68	5.59	445	850
	632. 606	○	○	○	○	CA	CC	-	-	2.20	1.20	1.58	2.23	3.15	3.86	4.98	5.89	7.04	450	860
	632. 646	○	○	○	○**	-	CC	CE	-	2.50	1.30	2.00	2.83	4.00	4.90	6.33	7.48	8.94	455	865
	632. 676	○	○	○	○**	-	CC	CE	-	2.70	1.40	2.38	3.36	4.75	5.82	7.51	8.89	10.62	465	875
	632. 726	○	○	○	○**	-	CC	CE	-	3.00	1.70	3.15	4.46	6.30	7.72	9.96	11.79	14.09	470	885
	632. 766	○	○	○	○**	-	CC	CE	-	3.50	1.90	4.00	5.66	8.00	9.80	12.65	14.97	17.89	475	890
	632. 806	○	○***	○	○**	-	CC	-	CG	4.00	2.40	5.00	7.07	10.00	12.25	15.81	18.71	22.36	480	900
632. 846	○	○***	○	○**	-	CC	-	CG	4.50	2.40	6.25	8.84	12.50	15.31	19.76	23.39	27.95	480	900	
632. 886	○	○***	○	○**	-	CC	-	CG	5.00	3.10	8.00	11.31	16.00	19.60	25.30	29.93	35.78	480	910	
632. 926	○	○	○	-	-	-	-	CG	5.50	3.60	10.00	14.14	20.00	24.50	31.62	37.42	44.72	525	1020	
632. 966	○	○	○	-	-	-	-	CG	6.00	3.90	12.50	17.68	25.00	30.62	39.53	46.77	55.90	525	1020	
120°	632. 187	○	-	○	-	CA	CC	-	-	0.35	0.20	-	0.06*	0.08	0.10	0.13	0.15	0.18	630	1200
	632. 217	○	-	○	-	CA	CC	-	-	0.40	0.20	-	0.08*	0.11	0.14	0.18	0.21	0.25	640	1210
	632. 247	○	-	○	-	CA	CC	-	-	0.50	0.20	-	0.12*	0.16	0.20	0.26	0.30	0.36	650	1230
	632. 277	○	-	○	-	CA	CC	-	-	0.60	0.30	-	0.16*	0.22	0.27	0.35	0.41	0.49	660	1250
	632. 307	○	○	○	○	CA	CC	-	-	0.70	0.30	0.16*	0.23*	0.32	0.39	0.51	0.60	0.72	660	1250
	632. 337	○	○	○	○	CA	CC	-	-	0.90	0.40	0.22*	0.32*	0.45	0.55	0.71	0.84	1.01	670	1270
	632. 367	○	○	○	○	CA	CC	-	-	1.00	0.50	0.31*	0.44*	0.63	0.77	1.00	1.18	1.41	670	1270
	632. 407	○	○	○	○	CA	CC	-	-	1.20	0.60	0.50*	0.71	1.00	1.23	1.58	1.87	2.24	670	1270
	632. 447	○	○	○	○	CA	CC	-	-	1.35	0.60	0.62*	0.88	1.25	1.53	1.98	2.34	2.80	675	1270
	632. 487	○	○	○	○	CA	CC	-	-	1.50	0.60	0.80*	1.13	1.60	1.96	2.53	2.99	3.58	680	1275
	632. 517	○	○	○	○	CA	CC	-	-	1.65	0.90	0.95*	1.34	1.90	2.33	3.00	3.56	4.25	685	1280
	632. 567	○	○	○	○	CA	CC	-	-	2.00	0.90	1.25	1.77	2.50	3.06	3.95	4.68	5.59	690	1285
	632. 607	○	○	○	○	CA	CC	-	-	2.20	1.10	1.58	2.23	3.15	3.86	4.98	5.89	7.04	700	1300
	632. 647	○	○	○	-	-	CC	CE	-	2.50	1.30	2.00	2.83	4.00	4.90	6.33	7.48	8.94	700	1300
	632. 677	○	○	○	○**	-	CC	CE	-	2.70	1.40	2.38	3.36	4.75	5.82	7.51	8.89	10.62	720	1330
	632. 727	○	○	○	○**	-	CC	CE	-	3.00	1.60	3.15	4.46	6.30	7.72	9.96	11.79	14.09	740	1360
	632. 767	○	○	○	○**	-	CC	CE	-	3.50	1.70	4.00	5.66	8.00	9.80	12.65	14.97	17.89	760	1400
	632. 807	○	○***	○	-	-	CC	-	CG	4.00	2.00	5.00	7.07	10.00	12.25	15.81	18.71	22.36	790	1450
632. 847	○***	○***	○***	○**	-	CC	-	CG	4.50	2.30	6.25	8.84	12.50	15.31	19.76	23.39	27.95	790	1450	
632. 887	○	○	○	-	-	-	-	CG	5.00	2.60	8.00	11.31	16.00	19.60	25.30	29.93	35.78	800	1460	
632. 927	○	○	○	-	-	-	-	CG	5.00	2.90	10.00	14.14	20.00	24.50	31.62	37.42	44.72	800	1460	

1) We reserve the right to deliver AISI 316Ti or AISI 316L under the material no. 17.
 A = Equivalent bore diameter · E = narrowest free cross section
 *Differing spray pattern
 **Only available with code CC.
 ***Only available with code CG.
 Subject to technical modifications.

The folded page at the end of the catalogue will give you a survey on the various assembly possibilities.
 For complete assembly accessories, please refer to »Accessories«.

Example for ordering: Type + Material-no. + Code = Ordering no.
 632. 216. + 16 + CA = 632. 216. 16. CA



Conversion formula for the above series: $\dot{V}_2 = \dot{V}_1 \cdot \sqrt{\frac{p_2}{p_1}}$