

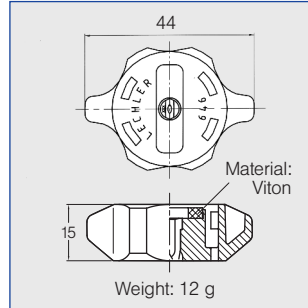


Flat fan nozzles with bayonet quick release cap Series 646



Quick and easy assembly with bayonet quick release cap. Adjusted spray direction. Uniform liquid distribution.

Applications:
Belt cleaning, surface treatment, cleaning, coating processes.



Spray angle	Ordering no.		A Ø [mm]	E Ø [mm]	V̇ [l/min]							Spray width B at p = 2 bar	
	Type	Mat.-no. 5E			p [bar]							H =	
					0.5	1.0	2.0	[US gal/min] at 40 psi	3.0	5.0	10.0	250 mm	500 mm
20°	646. 301	○	0.70	0.60	0.16*	0.23*	0.32	0.10	0.39	0.51	0.72	75	150
	646. 361	○	1.00	0.80	0.31*	0.44*	0.63	0.20	0.77	1.00	1.40	80	150
	646. 441	○	1.35	1.10	0.62*	0.88	1.25	0.39	1.53	1.98	2.80	80	155
	646. 481	○	1.50	1.20	0.80*	1.13	1.60	0.50	1.96	2.53	3.58	80	155
30°	646. 302	○	0.70	0.50	0.16*	0.23*	0.32	0.10	0.39	0.51	0.72	85	140
	646. 362	○	1.00	0.70	0.31*	0.44*	0.63	0.20	0.77	1.00	1.40	95	160
	646. 402	○	1.20	0.90	0.50*	0.71	1.00	0.39	1.23	1.58	2.24	105	190
	646. 482	○	1.50	1.10	0.80*	1.13	1.60	0.50	1.96	2.53	3.58	120	225
	646. 562	○	2.00	1.50	1.25	1.77	2.50	0.78	3.06	3.95	5.59	135	240
45°	646. 363	○	1.00	0.60	0.31*	0.44*	0.63	0.20	0.77	1.00	1.40	185	340
	646. 403	○	1.20	0.90	0.50*	0.71	1.00	0.31	1.23	1.58	2.24	185	340
	646. 483	○	1.50	1.10	0.80*	1.13	1.60	0.50	1.96	2.53	3.58	185	340
	464. 563	○	2.00	1.40	1.20	1.77	2.50	0.78	3.06	3.95	5.59	185	340
	464. 643	○	2.50	1.80	2.00	2.83	4.00	1.24	4.90	6.33	8.94	185	345
60°	646. 304	○	0.70	0.40	0.16*	0.23*	0.32	0.10	0.39	0.51	0.72	245	490
	646. 334	○	0.90	0.50	0.22*	0.32*	0.45	0.14	0.55	0.71	1.01	250	495
	646. 364	○	1.00	0.60	0.31*	0.44*	0.63	0.20	0.77	1.00	1.40	255	500
	646. 404	○	1.20	0.80	0.50*	0.71	1.00	0.31	1.23	1.58	2.24	260	510
	646. 444	○	1.35	0.90	0.62	0.88	1.25	0.39	1.53	1.98	2.80	260	510
	646. 484	○	1.50	1.00	0.80	1.13	1.60	0.50	1.96	2.53	3.58	270	525
	646. 514	○	1.65	1.10	0.95	1.34	1.90	0.59	2.33	3.00	4.25	260	510
	646. 564	○	2.00	1.30	1.25	1.77	2.50	0.78	3.06	3.95	5.59	260	505
646. 604	○	2.20	1.50	1.58	2.23	3.15	0.98	3.86	4.98	7.04	265	505	
90°	646. 306	○	0.70	0.40	0.16*	0.23*	0.32	0.10	0.39	0.51	0.72	425	840
	646. 336	○	0.90	0.50	0.22*	0.32*	0.45	0.14	0.55	0.71	1.01	425	840
	646. 366	○	1.00	0.50	0.31*	0.44*	0.63	0.20	0.77	1.00	1.41	425	840
	646. 406	○	1.20	0.70	0.50*	0.71	1.00	0.31	1.23	1.58	2.24	425	835
	646. 446	○	1.35	0.80	0.62*	0.88	1.25	0.39	1.53	1.98	2.80	425	835
	646. 486	○	1.50	0.80	0.80*	1.13	1.60	0.50	1.96	2.53	3.58	425	830
	646. 516	○	1.65	0.90	0.95*	1.34	1.90	0.59	2.33	3.00	4.25	425	830
	646. 566	○	2.00	1.10	1.25	1.77	2.50	0.78	3.06	3.95	5.59	425	825
	646. 606	○	2.20	1.20	1.58	2.23	3.15	0.98	3.86	4.98	7.04	425	820

A = Equivalent bore diameter · E = narrowest free cross section

* Differing spray pattern

Subject to technical modifications.

Continued on next page.

Example for ordering: Type 646. 301 + Material-no. 5E = Ordering no. 646. 301. 5E

The folded page at the end of the catalogue will give you a survey on the various assembly possibilities. For complete assembly accessories, please refer to »Accessories«.





Flat fan nozzles with bayonet quick release cap Series 646



Spray angle	Ordering no.		A Ø [mm]	E Ø [mm]	\dot{V} [l/min]							Spray width B at p = 2 bar	
	Type	Mat.-no. 5E			p [bar]							 H = 250 mm H = 500 mm	
					[US gal/min] at 40 psi		0.5	1.0	2.0	3.0	5.0		
120°	646. 307	○	0.70	0.30	0.16*	0.23*	0.32	0.10	0.39	0.51	0.72	625	1175
	646. 337	○	0.90	0.40	0.22*	0.32*	0.45	0.14	0.55	0.71	1.01	630	1180
	646. 367	○	1.00	0.50	0.31*	0.44*	0.63	0.20	0.77	1.00	1.41	635	1190
	646. 407	○	1.20	0.60	0.50*	0.71	1.00	0.31	1.23	1.58	2.24	640	1195
	646. 447	○	1.35	0.60	0.62*	0.88	1.25	0.39	1.53	1.98	2.80	645	1200
	646. 487	○	1.50	0.60	0.80*	1.13	1.60	0.50	1.96	2.53	3.58	650	1200
	646. 517	○	1.65	0.90	0.95*	1.34	1.90	0.59	2.33	3.00	4.25	650	1205
	646. 567	○	2.00	0.90	1.25	1.77	2.50	0.78	3.06	3.95	5.59	655	1210
646. 607	○	2.20	1.10	1.58	2.23	3.15	0.98	3.86	4.98	7.04	660	1215	

A = Equivalent bore diameter · E = narrowest free cross section
* Differing spray pattern
Subject to technical modifications.

The folded page at the end of the catalogue will give you a survey on the various assembly possibilities. For complete assembly accessories, please refer to »Accessories«.

Example for ordering: Type + Material-no. = Ordering no.
646. 307 + 5E = 646. 307. 5E



Assembly accessories see page 9.3

Conversion formula for the above series: $\dot{V}_2 = \dot{V}_1 * \sqrt{\frac{p_2}{p_1}}$

