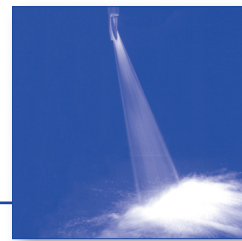




Tongue-type nozzles

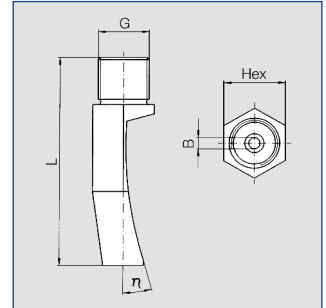
Series 688 / 689



Hard, sharp flat fan, narrowly delimited jet pattern. Not prone to clogging.

Applications:

Cleaning, washing, degreasing and phosphating, preparation techniques.

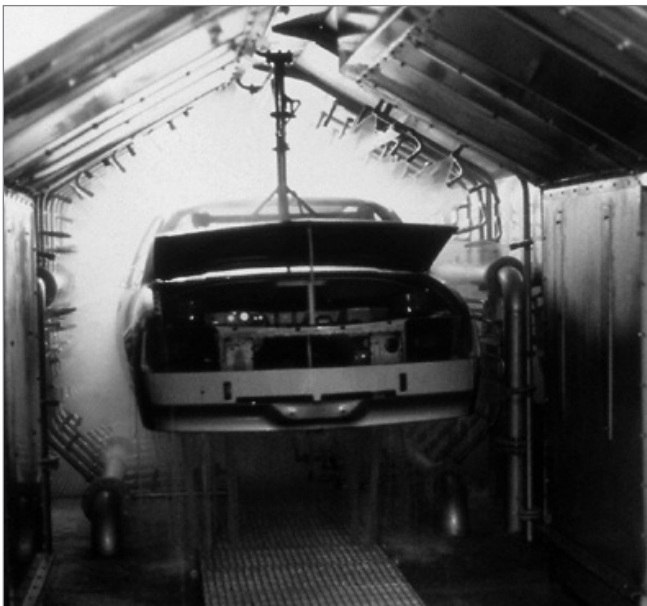


Spray angle	η	Ordering no.						B \varnothing [mm]	\dot{V} [l/min]				Dimensions		Weight	Spray width B at p=2 bar	
		Type	Mat.-no.		Code G		p [bar]				L [mm]	SW [mm]	H				
			16	5E			0.5		1.0	2.0			5.0	H = 250 mm		H = 500 mm	
			AISI 303	PVDF	3/8 BSPT	3/4 BSPP											
45°	35°	688.763	○	-	CE	-	3.0	4.00	5.66	8.00	12.65	43	19	114 g	220	440	
	30°	688.843	○	-	CE	-	3.8	6.25	8.84	12.50	19.76	50	19	133 g	220	440	
	29°	688.923	○	-	CE	-	4.8	10.00	14.14	20.00	31.62	59	22	247 g	220	440	
	35°	689.003	○	○	-	90	6.0	15.75	22.27	31.50	49.81	80/80	32/24	306/33	250	490	

B = Bore diameter

Example for ordering:	Type	+ Material-no.	+ Code	= Ordering no.
	688.763	+ 16	+ CE	= 688.763.16.CE

The folded page at the end of the catalogue will give you a survey on the various assembly possibilities. For complete assembly accessories, please refer to »Accessories«.



Phosphating line