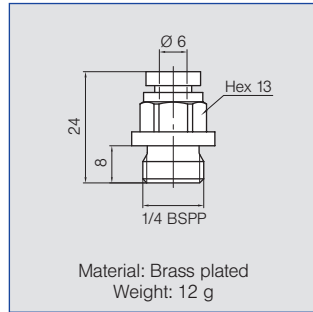




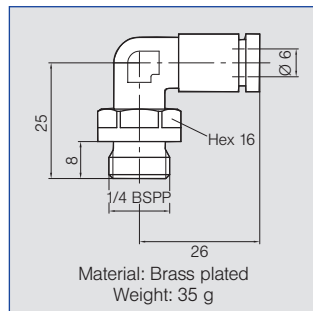
Accessories for pneumatic atomizing nozzles Series 136 und 166

Screwed connection for hose diameter 6 mm



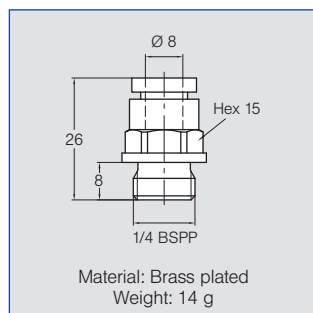
Ordering no.	For all nozzles of the series 136 and 166
095.016.35.11.79.0	

Angled screwed connection for hose diameter 6 mm



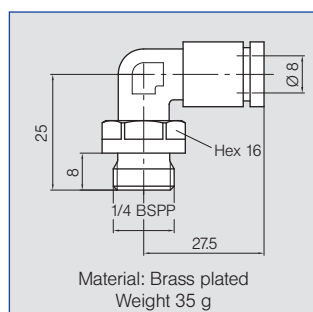
Ordering no.	For all nozzles of the series 136 and 166
095.016.35.13.13.0	

Screwed connection for hose diameter 8 mm



Ordering no.	For all nozzles of the series 136 and 166
095.016.35.11.80.0	

Angled screwed connection for hose diameter 8 mm



Ordering no.	For all nozzles of the series 136 and 166
095.016.35.13.14.0	