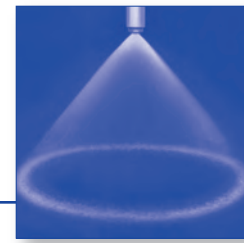


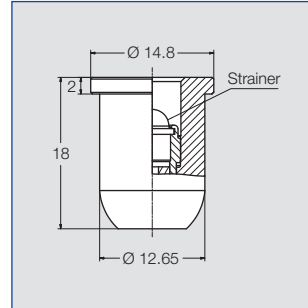


Axial-flow hollow cone nozzles for retaining nut Series 226



**Hollow cone nozzle for
assembly with retaining nut.
Extremely fine, fog-like
hollow cone spray.**

Applications:
Disinfection, humidification,
cooling.



| Spray angle | Ordering no. | | B Ø [mm] | E Ø [mm] | Mesh size [mm] | \dot{V} [l/min] | | | | | | | | Spray diameter D at p=5 bar H = 100 mm |
|-------------|--------------|--------------------------------------|----------------|----------------|----------------------|-------------------|-------|-------|-------|-------|-------|-------|-------|--|
| | Type | Mat.- no. 16 303 SS† | | | | p [bar] | | | | | | | | |
| | | | | | | 2.0 | 3.0 | 5.0 | 7.0 | 10.0 | 20.0 | 50.0 | 100.0 | |
| 60° | 226.004 | ○ | 0.10 | 0.10 | 0.04 | - | - | 0.013 | 0.015 | 0.018 | 0.026 | 0.041 | 0.058 | 100 |
| | 226.014 | ○ | 0.15 | 0.15 | 0.04 | - | 0.015 | 0.019 | 0.022 | 0.027 | 0.038 | 0.060 | 0.085 | 100 |
| | 226.054 | ○ | 0.20 | 0.15 | 0.04 | 0.017 | 0.021 | 0.027 | 0.032 | 0.038 | 0.054 | 0.085 | 0.121 | 100 |
| 80° | 226.085 | ○ | 0.25 | 0.25 | 0.10 | 0.025 | 0.031 | 0.040 | 0.047 | 0.057 | 0.080 | 0.126 | 0.179 | 140 |
| | 226.125 | ○ | 0.35 | 0.35 | 0.10 | 0.039 | 0.048 | 0.062 | 0.073 | 0.088 | 0.124 | 0.196 | 0.277 | 140 |
| | 226.145 | ○ | 0.40 | 0.40 | 0.10 | 0.052 | 0.064 | 0.082 | 0.097 | 0.116 | 0.164 | 0.259 | 0.367 | 140 |
| | 226.165 | ○ | 0.45 | 0.45 | 0.10 | 0.065 | 0.080 | 0.103 | 0.122 | 0.146 | 0.206 | 0.326 | 0.461 | 140 |
| | 226.185 | ○ | 0.55 | 0.35 | 0.20 | 0.082 | 0.101 | 0.130 | 0.154 | 0.184 | 0.260 | 0.411 | 0.581 | 140 |
| | 226.205 | ○ | 0.60 | 0.35 | 0.20 | 0.106 | 0.130 | 0.168 | 0.199 | 0.238 | 0.336 | 0.531 | 0.751 | 140 |
| | 226.245 | ○ | 0.70 | 0.50 | 0.20 | 0.165 | 0.202 | 0.261 | 0.309 | 0.369 | 0.522 | 0.825 | 1.167 | 140 |
| | 226.285 | ○ | 0.90 | 0.55 | 0.20 | 0.247 | 0.302 | 0.390 | 0.461 | 0.552 | 0.780 | 1.233 | 1.744 | 140 |

B = bore diameter · E = narrowest free cross section

Example Type + Material-No. = Ordering no.
for ordering: 226.004 + 16 = 226.004.16

The folded page at the end of the catalogue will give you a survey on the various assembly possibilities. For complete assembly accessories, please refer to »Accessories«.

The integrated strainer avoids clogging of the nozzle and increases its service life.

* Materials

| Mat. no | Housing | Nozzle insert | Strainer |
|---------|---------|---------------|----------|
| 16 | 303 SS | 430F SS | 316L SS |