



# Solid jet nozzles for air or saturated steam Series 544

## Series 544

The solid jet nozzles of the 544 series generate a targeted solid jet of air. These nozzles are from Lechler's standard range, which offer a large choice of different performance ratings. The stainless steel version of this series also permits use at higher temperatures.



\* Complies with OSHA requirements on noise level



**Material**  
Stainless steel  
AISI 303



**Blowing force**  
0.25-2.9 N at 2 bar



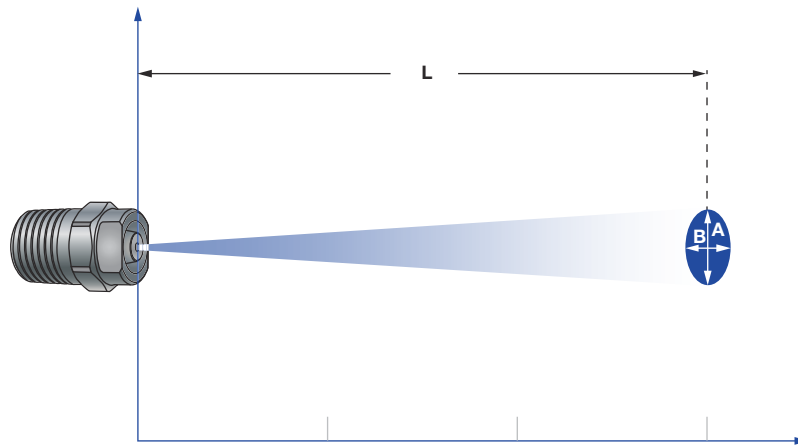
**Noise level**  
65-90 db(A) at 2 bar



**Air consumption**  
see table



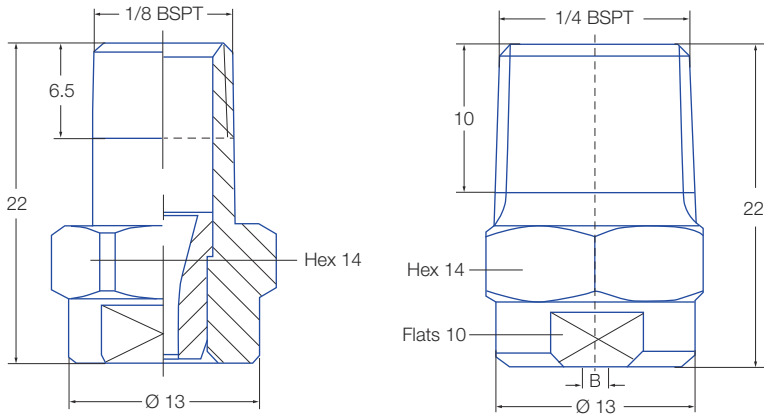
**Pressure**  
 $P_{max} = 30 \text{ bar}$



Jet pattern of 544 nozzle series

Pressure:	1 bar	3 bar	5 bar	
544.360	Distance L [mm]:	175	325	400
	A [mm]:	50	75	100
	B [mm]:	50	75	100
544.480	Distance L [mm]:	250	400	475
	A [mm]:	70	120	150
	B [mm]:	70	120	150
544.640	Distance L [mm]:	400	650	825
	A [mm]:	105	175	225
	B [mm]:	105	175	225

Pressure:	1 bar	3 bar	5 bar	
544.800	Distance L [mm]:	750	900	900
	A [mm]:	180	260	280
	B [mm]:	180	260	280



Ordering no.				B Ø [mm]	$\dot{V}_n$ Air [m³/h]				$\dot{M}$ Saturated steam [kg/h]			
Type	Mat. no.	Code			p [bar]				p [bar]			
	16	CA	CC		1	2	3	5	1	2	3	5
544.360	○	CA	CC	0.84	0.80	1.00	1.30	2.00	0.80	1.20	1.50	2.20
544.400	○	CA	CC	1.03	1.00	2.00	2.40	3.00	1.30	1.90	2.50	3.70
544.480	○	CA	CC	1.33	1.50	2.50	3.00	4.60	1.90	2.80	3.70	5.50
544.560	○	CA	CC	1.69	2.50	4.00	5.00	7.50	2.80	4.10	5.40	8.20
544.640	○	CA	CC	2.09	4.00	6.00	8.00	12.00	5.00	7.20	9.50	14.00
544.720	○	CA	CC	2.66	7.00	10.00	14.00	21.00	7.40	10.00	13.00	20.00
544.800	○	CA	CC	3.30	11.00	16.00	21.00	32.00	11.00	16.50	22.00	33.00

B = bore diameter

**Example of ordering:** Type + Mat. no. + Code = Ordering no.  
 544.360 + 16 + CA = 544.360.16.CA