



NEW!

Solenoid Valve Series 166 H

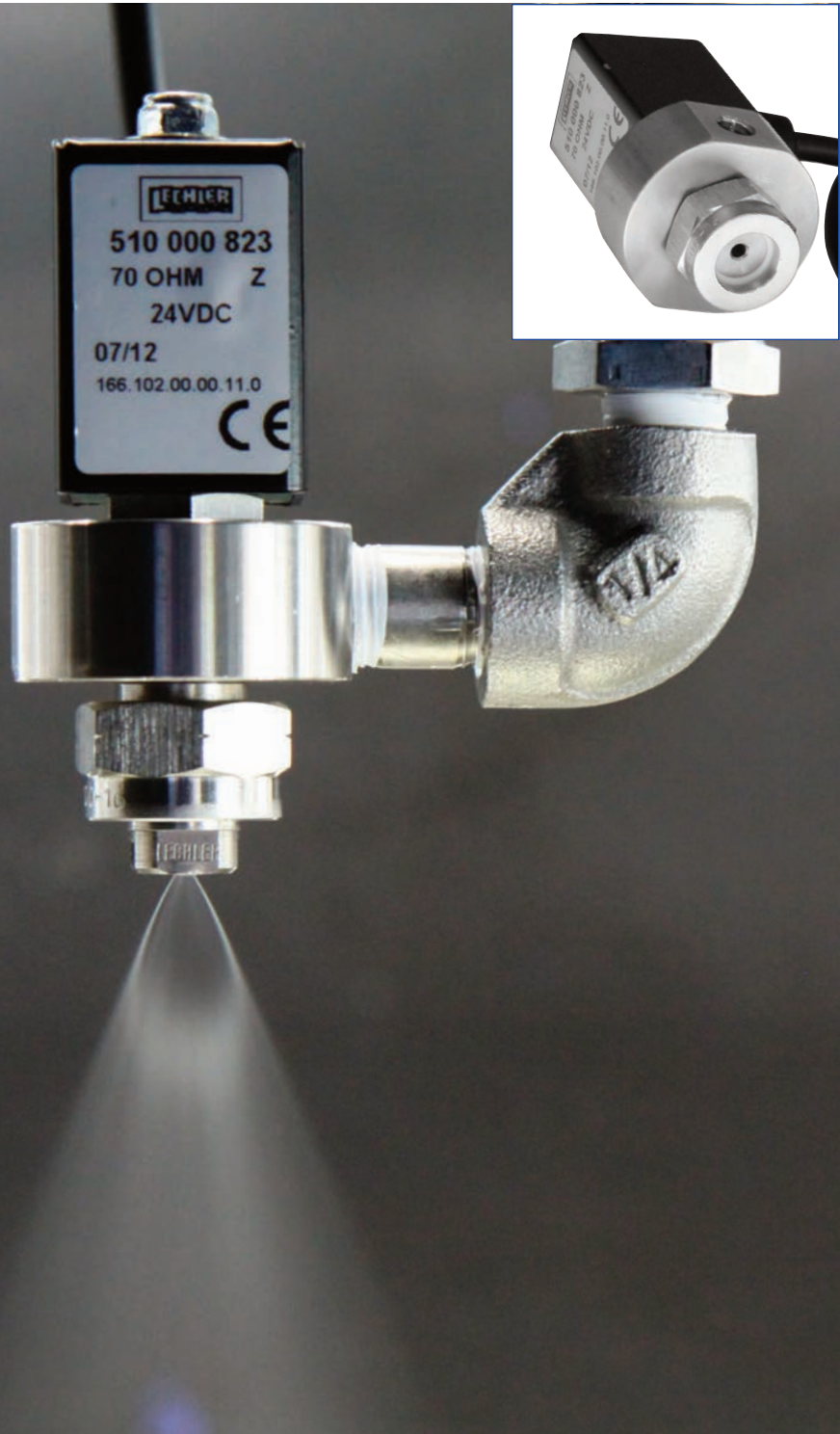
The stainless steel body attached to an electrically actuated solenoid valve offers the possibility to clock the spray application flexibly.

Advantages

- Assembly with retaining nut - easy nozzle changing
- Simple jet alignment
- For flat fan and full cone nozzles

Applications

- Cleaning and coating
- Moistening
- Lubrication



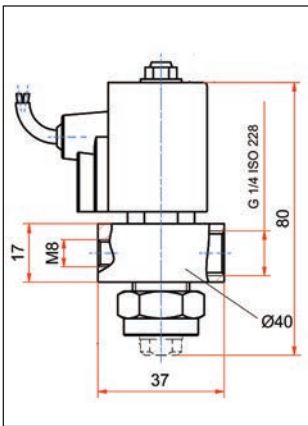
Technical Data



Lechler GmbH
 Precision Nozzles · Nozzle Systems
 P.O. Box 13 23
 72544 Metzingen / Germany
 Phone +49 (0 71 23) 962-0
 Telefax + 49 (0 71 23) 962-333

E-Mail: info@lechler.de
 Internet: www.lechler.com

Solenoid Valve



Material:
 303SS (1.4305),
 Stainless steel combi-
 ned with solenoid valve

Flow rate water V_W :
 Max. 3 l/min at 4 bar

**Max. operating pres-
 sure:**
 5 bar (valve closed)

Power:
 8 Watt




Voltage:
 24 V DC

Protection:
 IP 67

Max. frequency:
 500/min

Ordering number:
 166.000.16.H0.00.0
 (Nozzle valve with body
 and retaining nut)

Matching Nozzle Series

	Type	Up to size	Spray pattern	Spray angle	Material
	652 (main catalogue 112, page 4.17)	51X	flat fan	see main catalogue	see main catalogue
	684 (main catalogue 112, page 4.32)	528	flat fan (tongue-type nozzle)	140°	see main catalogue
	468 (main catalogue 112, page 3.9)	52X	full cone	see main catalogue	see main catalogue

Note

Please order nozzles separately, see main catalogue 112.



More information please see main catalogue 112.
 Available for download: www.lechler.com/downloads.