

NEW!

Hollow Cone Nozzles Series 2MN

- Extremely fine, fog-like hollow cone spray
- Non-return valve included

Applications

Moisturization, adiabatic cooling, disinfection

Materials

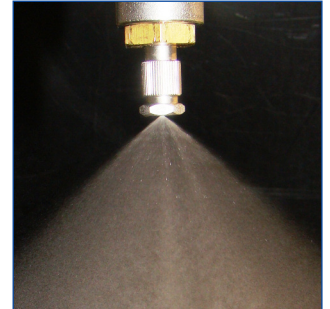
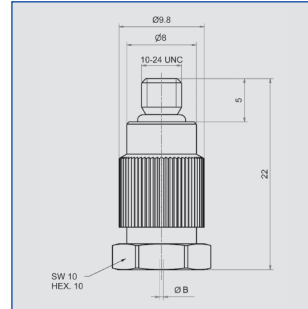
Stainless steel AISI 303, nozzle tip AISI 316L, spring AISI 302, gaskets NBR

Connection

10-24 UNC

Additional versions on request:

- Bore diameters
 - 0.15 mm
 - 0.6 mm
 - 0.7 mm
- Connections
 - 12-24 UNC
 - M5
- Material
 - Stainless steel AISI 316L



Nozzles

Spray angle	Ordering no.		B Ø [mm]	\dot{V} [l/min]								
	Type	Mat.-no. 16 Stainless steel AISI 303		p [bar] (p _{min} = 30 bar) (p _{max} = 130 bar*)								
				30	40	50	60	70	80	90	100	
45°	2MN.003.16.00.00	○	0.1	-	0.017	0.022	0.027	0.030	0.039	0.042	0.044	
70°	2MN.025.16.00.00	○	0.2	0.041	0.057	0.063	0.071	0.075	0.081	0.085	0.091	
85°	2MN.055.16.00.00	○	0.3	0.070	0.082	0.091	0.102	0.105	0.116	0.122	0.132	
90°	2MN.086.16.00.00	○	0.4	0.094	0.116	0.128	0.142	0.150	0.159	0.169	0.185	
95°	2MN.106.16.00.00	○	0.5	0.117	0.136	0.160	0.180	0.190	0.195	0.209	0.228	

B = bore diameter

* The pipe system is the limiting factor.