



NEW!
Patent pending!

Rotating nozzle **X**actClean®

The new rotating nozzle **XactClean**® works very powerfully and efficiently based on the controlled rotation. Compared to conventional rotating nozzles, the cleaning cycle time can be reduced considerably. This saves cleaning fluid, energy costs and time.

Facts / Advantages

- Controlled rotation
- Pressure range up to 20 bar
- Driven and lubricated by the cleaning fluid
- Reliable slide bearing
- Low-wear design
- All materials are FDA-conform

Applications

Efficient cleaning and rinsing of tanks or containers, for example

- Chemical industry
- Food industry
- Beverage industry
- Pharmaceutical industry



Technical data Ordering data



Lechler GmbH
Precision Nozzles · Nozzle Systems
P.O. Box 13 23
72544 Metzingen / Germany
Phone +49 (0 71 23) 962-0
Telefax + 49 (0 71 23) 962-333

E-Mail: info@lechler.de
Internet: www.lechler.com

FDA -conform

XactClean®

Series 5W2/5W3

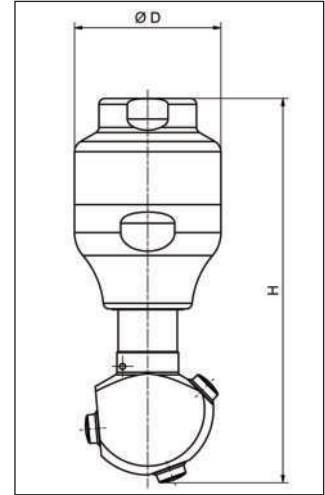
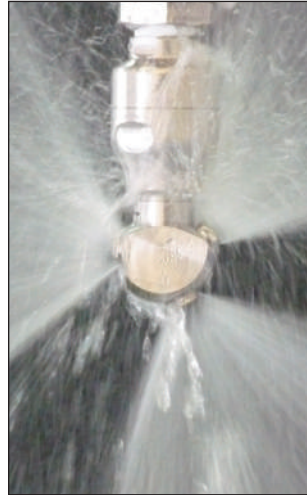
Operating pressure:
3 - 7 bar

Installation:
Operation in every direction

Material:
Stainless steel AISI 316L
(bearing PTFE)

Temperature:
max. 80° C

Max. tank diameter:
see table



Spray angle	Ordering number				E Ø [mm]	Flow rate [l/min]				Height H [mm]	Diameter D [mm]	Max. tank diameter	
	Type	Connection				Δp [bar] ($\Delta p_{max} = 20$ bar)						(at = 5 bar)	
		3/8 BSPP	1/2 BSPP	3/4 BSPP		2	5	10	40 psi [US gal./min]			Rinsing [m]	Cleaning [m]
270° 	5W2.875.1Y	AF	-	-	1.7	15	24	34	4.7	120	43.0	4	3
	5W2.995.1Y	-	AH	-	2.2	30	47	67	9.3	120	43.0	5	3
	5W3.065.1Y	-	-	AL	2.2	45	71	101	14.0	135	49.5	7	4
	5W3.145.1Y	-	-	AL	3.8	70	111	157	21.7	155	59.5	8	5
	5W3.205.1Y	-	-	AL	4.8	100	158	224	31.0	155	59.5	9	6
	5W3.255.1Y	-	-	AL	5.5	130	206	291	40.3	155	59.5	9	6
270° 	5W2.876.1Y	AF	-	-	1.7	15	24	34	4.7	120	43.0	4	3
	5W2.996.1Y	-	AH	-	2.2	30	47	67	9.3	120	43.0	5	3
	5W3.066.1Y	-	-	AL	2.2	45	71	101	14.0	135	49.5	7	4
	5W3.146.1Y	-	-	AL	3.8	70	111	157	21.7	155	59.5	8	5
	5W3.206.1Y	-	-	AL	4.8	100	158	224	31.0	155	59.5	9	6
	5W3.256.1Y	-	-	AL	5.5	130	206	291	40.3	155	59.5	9	6
360° 	5W2.879.1Y	AF	-	-	1.5	15	24	34	4.7	120	43.0	4	3
	5W2.999.1Y	-	AH	-	2.0	30	47	67	9.3	120	43.0	5	3
	5W3.069.1Y	-	-	AL	2.0	45	71	101	14.0	135	49.5	7	4
	5W3.149.1Y	-	-	AL	3.5	70	111	157	21.7	155	59.5	8	5
	5W3.209.1Y	-	-	AL	4.4	100	158	224	31.0	155	59.5	9	6
	5W3.259.1Y	-	-	AL	5.0	130	206	291	40.3	155	59.5	9	6

E = Narrowest free cross-section

Please note: In order to protect the bearing a line-strainer with a mesh size of 0.1 mm/170 mesh must be used. The operation without line-strainer can result in damaging the rotating nozzle. We do not recommend the operation with compressed air. Higher pressure generally means higher wear and smaller droplets. This might have adverse effects on the cleaning result.