



Tangential-flow full cone nozzles

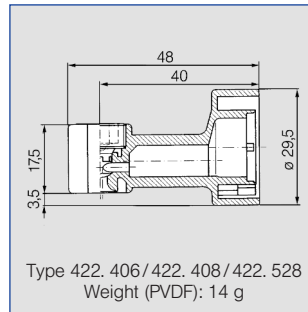
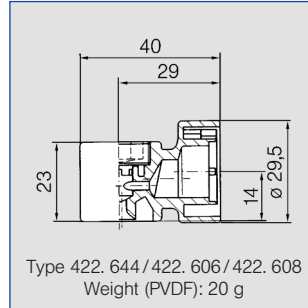
Bayonet quick-release system

Series 422

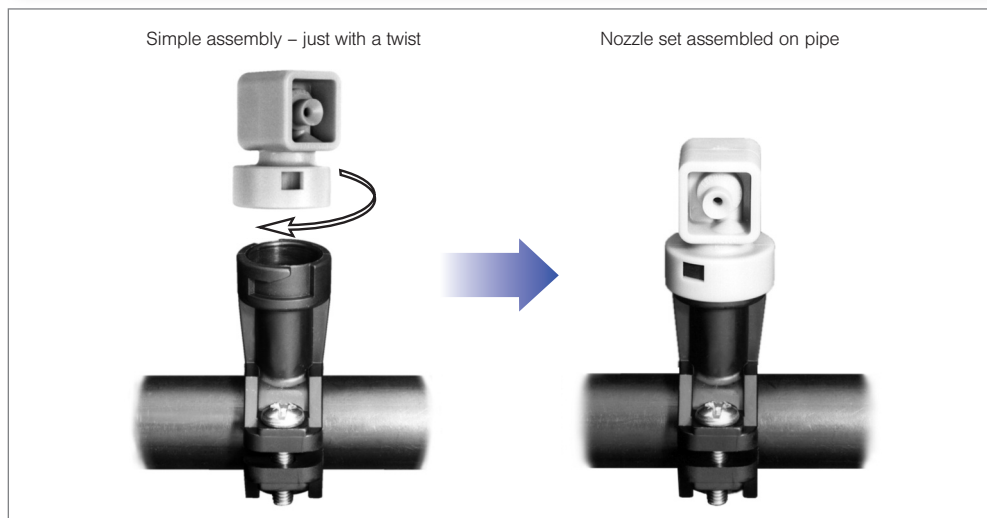


Quick and safe assembly, without tool. Space-saving installation. Non-clogging and maintenance-free. High resistance to temperatures and chemicals.

Applications:
Cleaning problems, cooling process, foam control.



Spray angle	Ordering no.				B ∅ [mm]	E ∅ [mm]	ṽ [l/min]						Spray diameter D at p=1-10 bar		
	Type	Mat.-no.		Code			p [bar]						 H = 200 mm H = 500 mm		
		5E	53												
	PVDF	PP	Bayonet quick-release	0.5			1.0	2.0	[US gal./mm] at 40 psi	3.0	5.0	10.0			
60°	422.644	-	○	KB	2.90	2.90	2.00	2.83	4.00	1.24	4.90	6.32	8.94	225	510
90°	422.406	○	-	KB	1.50	1.45	0.50	0.71	1.00	0.31	1.22	1.58	2.24	380	860
	422.606	○	-	KB	2.60	2.50	1.57	2.23	3.15	0.98	3.86	4.98	7.04	380	860
120°	422.408	○	-	KB	1.50	1.45	0.50	0.71	1.00	0.31	1.22	1.58	2.24	680	1220
	422.528	○	-	KB	2.10	2.00	1.00	1.41	2.00	0.62	2.45	3.16	4.47	680	1220
	422.608	○	-	KB	2.60	2.50	1.57	2.23	3.15	0.98	3.86	4.98	7.04	680	1600



B = bore diameter
E = narrowest free cross section

The folded page at the end of the catalogue will give you a survey on the various assembly possibilities. For complete assembly accessories, please refer to »Accessories«.